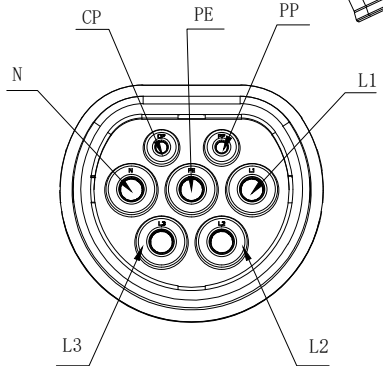
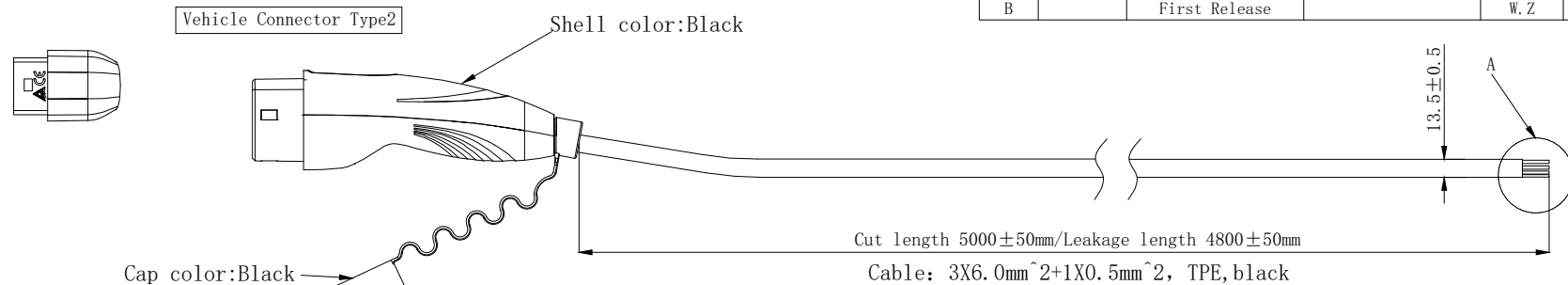
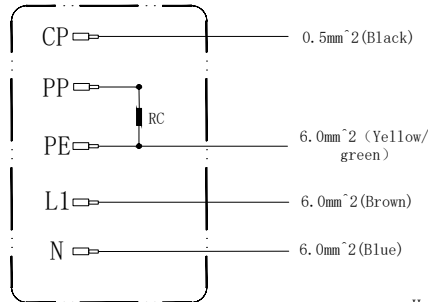


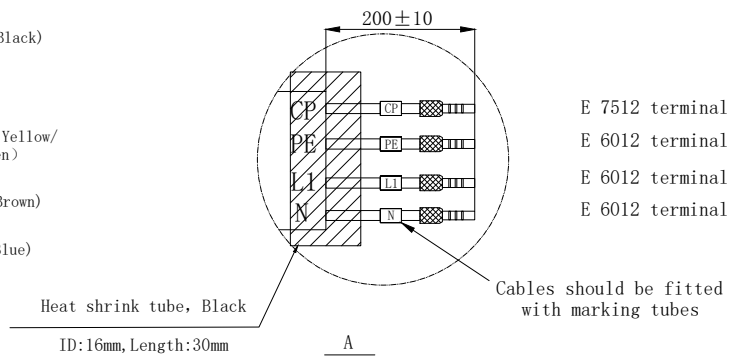
ECN					
REV	MARK	Reasons for change	Change content	Name	Date
B		First Release		W. Z	2023.12.07



Vehicle Connector wiring diagram



Vehicle Connector Tail wiring diagram



Technical Requirement:

- Product description: It meets the design and test requirements of IEC 62196-II e-2014;
- Product performance: Voltage rating 250V
Current rating 32A
Dielectric Withstanding Voltage >2500V
Ambient Temperature Range -40°C to +50°C
Ingress Protection IP54
- Appearance of the product: No oil stain, burr or other defects affecting the function of the product are found on the surface of the product.
- Resistance: RC, 220Ω;
- Control dimension: The dimension marked is the key dimension, which needs to be controlled.
- Environmental protection requirements: products meet RoHS requirements;

Customer signature:



Approval	Check	Design		-Unnoted tolerance-		SPVOLT EV CHARGING CABLE CO., LTD	
				Unite: mm	X		±0.30
				Sheet: A4	X.X		±0.20
				Scale:	X.XX		±0.10
				Page:	Angle		±1°
				Material:	Weight:	Name: TYPE2 Vhicle Connector	
						Part number:	
						Draw number: YT1-M01-006	