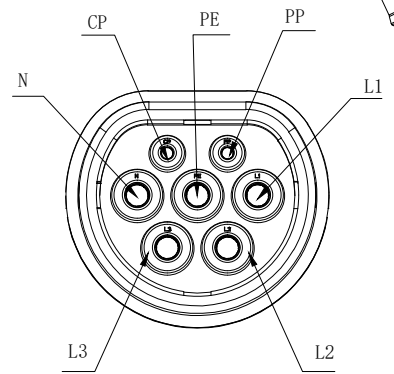
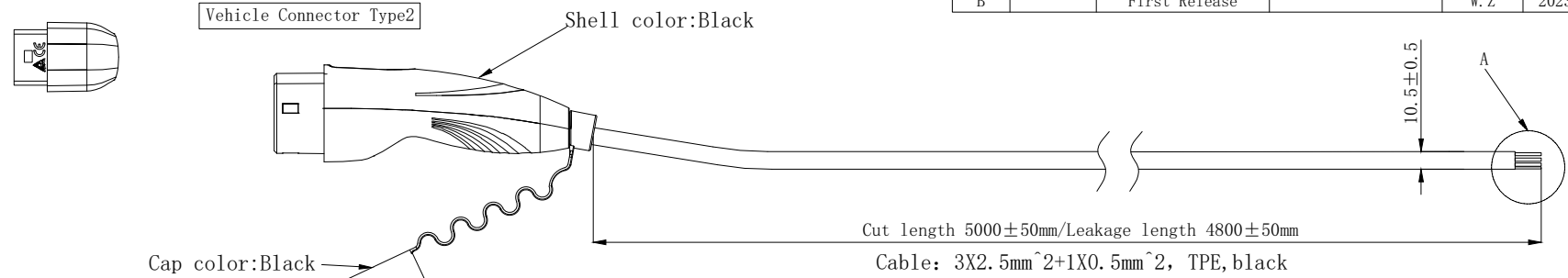
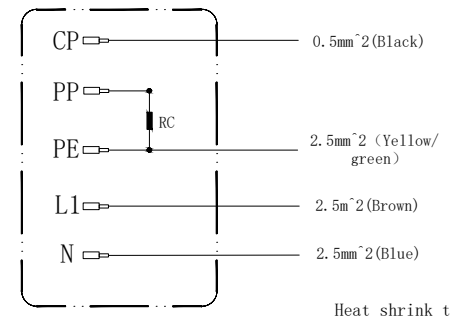


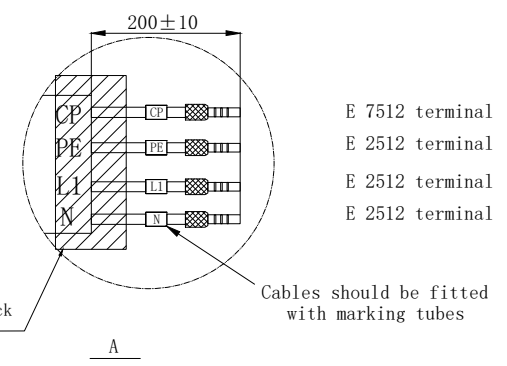
ECN					
REV	MARK	Reasons for change	Change content	Name	Date
B		First Release		W. Z	2023.12.07



Vehicle Connector wiring diagram



Vehicle Connector Tail wiring diagram



Technical Requirement:

- Product description: It meets the design and test requirements of IEC 62196-II e-2014;
- Product performance: Voltage rating 250V
Current rating 16A
Dielectric Withstanding Voltage >2500V
Ambient Temperature Range -40°C to +50°C
Ingress Protection IP54
- Appearance of the product: No oil stain, burr or other defects affecting the function of the product are found on the surface of the product.
- Resistance: RC, 680Ω;
- Control dimension: The dimension marked is the key dimension, which needs to be controlled.
- Environmental protection requirements: products meet RoHs requirements;

Customer signature:



Approval	Check	Design		-Unnoted tolerance-		SPVOLT EV CHARGING CABLE CO.LTD
				Unite: mm	X ±0.30	
				Sheet: A4	X.X ±0.20	Part number:
				Scale:	X.XX ±0.10	Draw number:
				Page:	Angle ±1°	YT1-M01-005
				Material:	Weight:	