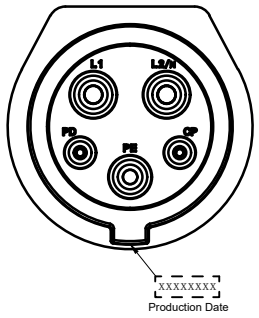
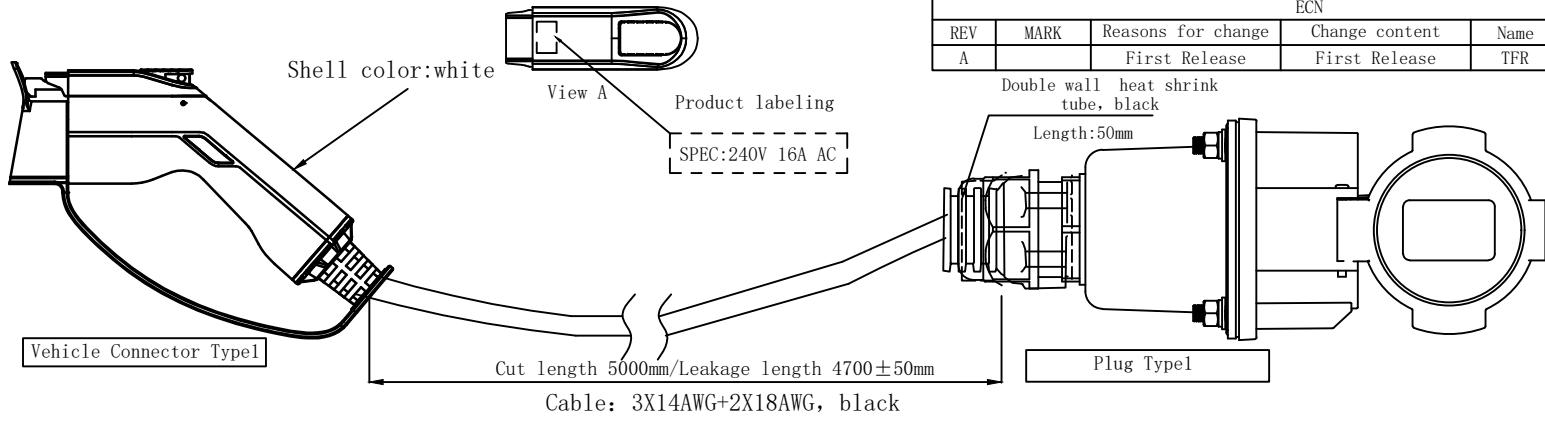
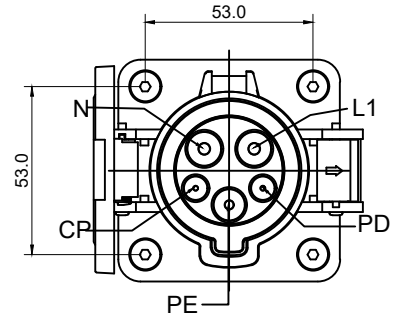
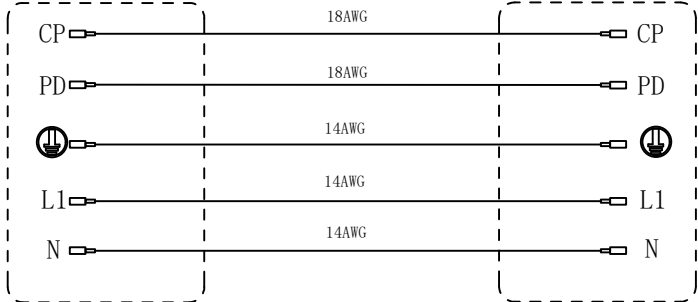


REV	MARK	Reasons for change	Change content	Name	Date
A		First Release	First Release	TFR	2024.08.21



Vehicle Connector wiring diagram

Plug wiring diagram



Technical Requirement:

1. Product description: Vehicle Connector meets the design and test requirements of SAE J1772-2010; Plug meets the design and test requirements of IEC 62196-2014
2. Product performance: Voltage rating 240V
Current rating 16A
Dielectric Withstanding Voltage >2500V
3. Appearance of the product: No oil stain, burr or other defects affecting the function of the product are found on the surface of the product.
4. Control dimension: The dimension marked is the key dimension, which needs to be controlled.
5. Environmental protection requirements: products meet RoHS requirements;

Customer signature:



Approval	Check	Design	Unit: mm	Sheet: A4	Scale:	Page:	Material:	Weight:	SPvolt EV Charging Cable Co.Ltd
									info@spvolt.com
									Name: TYPE1 TO TYPE1
									Part number:
									Draw number: YT2-YCX-02-1