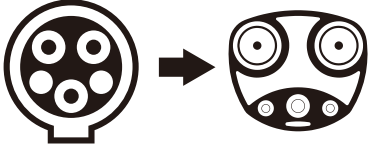
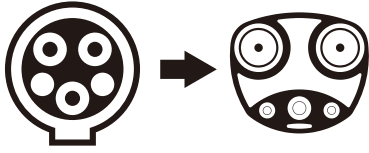




AC EV CHARGING ADAPTER



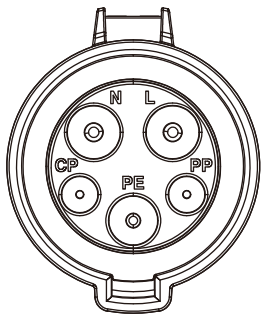
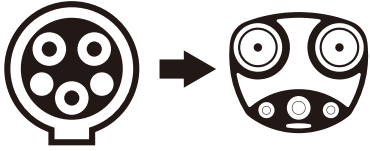
AC EV CHARGING ADAPTER



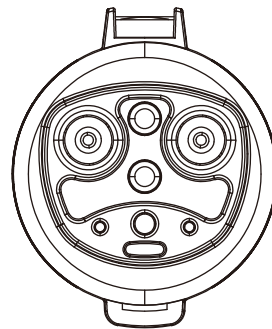
symbol	meaning
	<p>"Non-recyclable" mark: located on the product, instruction manual or package, indicating that electrical and electronic equipment and its accessories should be treated separately from ordinary household waste. When scrapped, it should be treated as industrial waste, otherwise it may cause accidents.</p>
	<p>Warning sign: indicates danger. Pay attention to the personal injury that may be caused by operation procedure or incorrect operation. Actions after the "warning" mark can only be performed when the conditions indicated by the condition are fully understood and satisfied.</p>

The company is committed to the continuous improvement and update of the product, product hardware and software will continue to upgrade, the information provided is subject to change without prior notice.

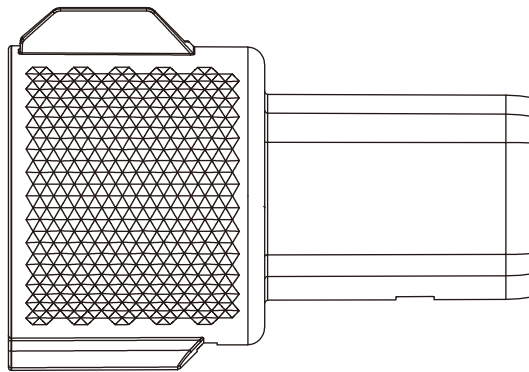
AC EV CHARGING ADAPTER



Type1 Interface



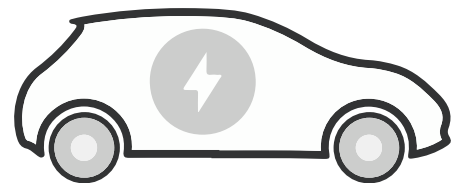
Tesla Plug



Charge plug connector

EV Charging Adapter

Vehicle socket

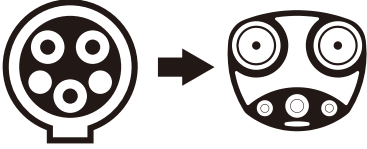


Type1

TO

Tesla

AC EV CHARGING ADAPTER



Voltage	240V AC Max
Current	80A Max
Applicable Charging Station	SAE J1772 Type1 Destination Charger / SAE J1772 Type1 Mobile Connector
Applicable Electric Vehicle	EV with Tesla Charging interface
Protection Level	IP55
Working Temperature	-31°F to +122°F

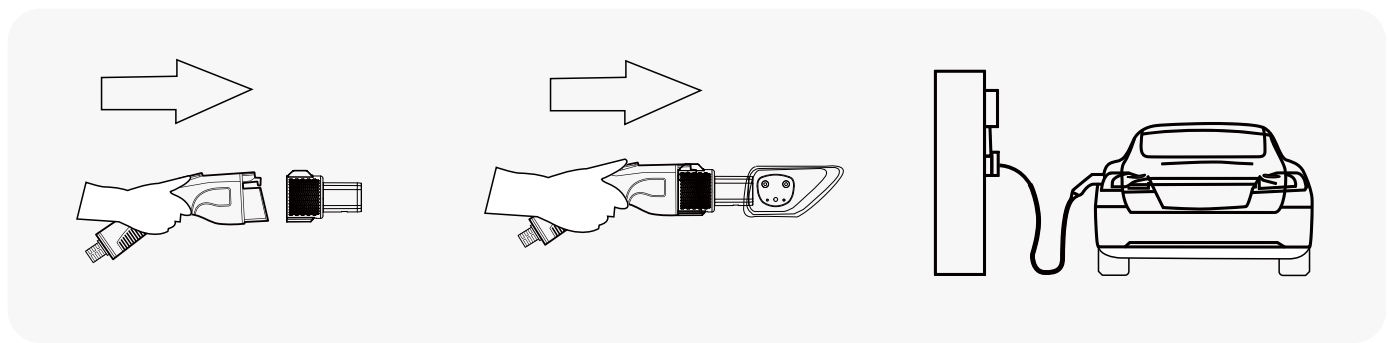
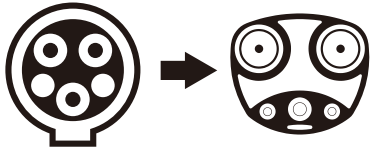
Important Note

1. Ensure the output current doesn't over 80A when using SAE J1772 Type1 Destination Chargers.
2. Please note that the output port of SAE J1772 Type1 charging pile is tightly connected with the Charger Adapter.
3. The above charging power is for reference only, and the actual power is related to the charging pile you choose, as well as the specifications of your vehicle and the ambient temperature.
4. To stop charging, please unlock the car's display screen or the mobile APP, do not unplug the charging gun directly.

WARNINGS

- Please do not use the adapter if it is defective (racked frayed, broken or damaged in any means).
- Please do not insert the adapter if any electrical outlet is wet or dirty.
- Please do not try to disassemble the shell or any part of the adapter. It will cause damages to the item and thus cause serious serious results when charging.
- Accordingly to your charging device and vehicle, the power rate is backwards compliant, yet couldn't handle higher power rate, which will cause temperature rise and charging shutdown.
- Please handle the adapter with care. Do not drop or step on it.

AC EV CHARGING ADAPTER



1. Plug the Type1 connector into the adapter, and lock

2. Plug the adapter into the car charging port

3.Charging

Note:

Clean the adapter only when it is disconnected by using a damp cloth. Please do not use water or chemicals when cleaning the adapter

4.What's in the box

<p>Adapter x 1</p>	<p>Storage bag x 1</p>	<p>User Manual x 1</p>