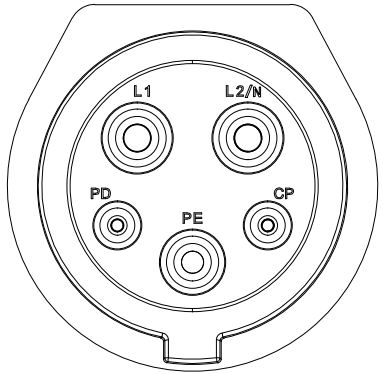


| ECN |      |                    |                |      |            |
|-----|------|--------------------|----------------|------|------------|
| REV | MARK | Reasons for change | Change content | Name | Date       |
| A   |      | First Release      |                | W. Z | 2024.03.29 |

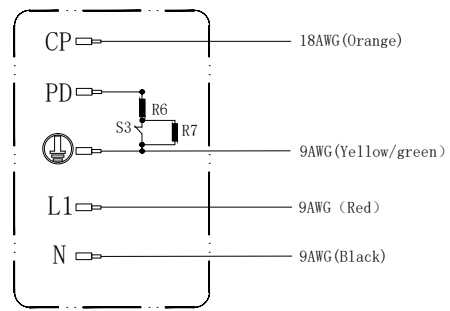
TYPE1 Vehicle Connector

Product labeling  
SPEC:240V40A AC

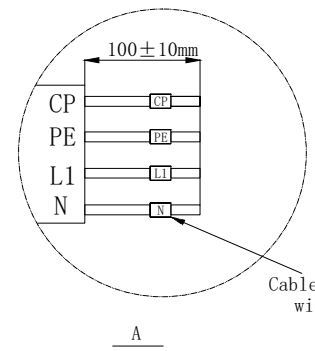
Cut length 5000 ± 50mm/Leakage length 4800 ± 50mm  
Cable: 3X9AWG+18AWG, TPE, Black



Vehicle Connector wiring diagram



Vehicle Connector Tail wiring diagram



Technical Requirement:

- Product description: It meets the design and test requirements of SAE J1772-2010;
- Product performance: Voltage rating 240V  
Current rating 40A  
Dielectric Withstanding Voltage > 2000V
- Appearance of the product: No oil stain, burr or other defects affecting the function of the product are found on the surface of the product.
- Resistance: R6, 150 Ω; R7, 330 Ω; S3, Microswitch;
- Control dimension: The dimension marked is the key dimension, which needs to be controlled.
- Environmental protection requirements: products meet RoHS requirements;
- Product Specification: 240V40A AC TYPE1 Vehicle Connector

Customer signature:



| Approval | Check | Design | -Unnoted tolerance- |            | SPVOLT EV CHARGING CABLE CO., LTD |  |
|----------|-------|--------|---------------------|------------|-----------------------------------|--|
|          |       |        | Unit: mm            | X ±0.30    | Name: TYPE1 Vehicle Connector     |  |
|          |       |        | Sheet: A4           | X.X ±0.20  | Part number:                      |  |
|          |       |        | Scale:              | X.XX ±0.10 | Draw number: YT1-M01-039          |  |
|          |       |        | Page:               | Angle ±1°  |                                   |  |
|          |       |        | Material:           | Weight:    |                                   |  |