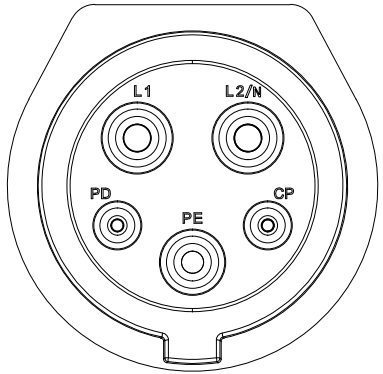
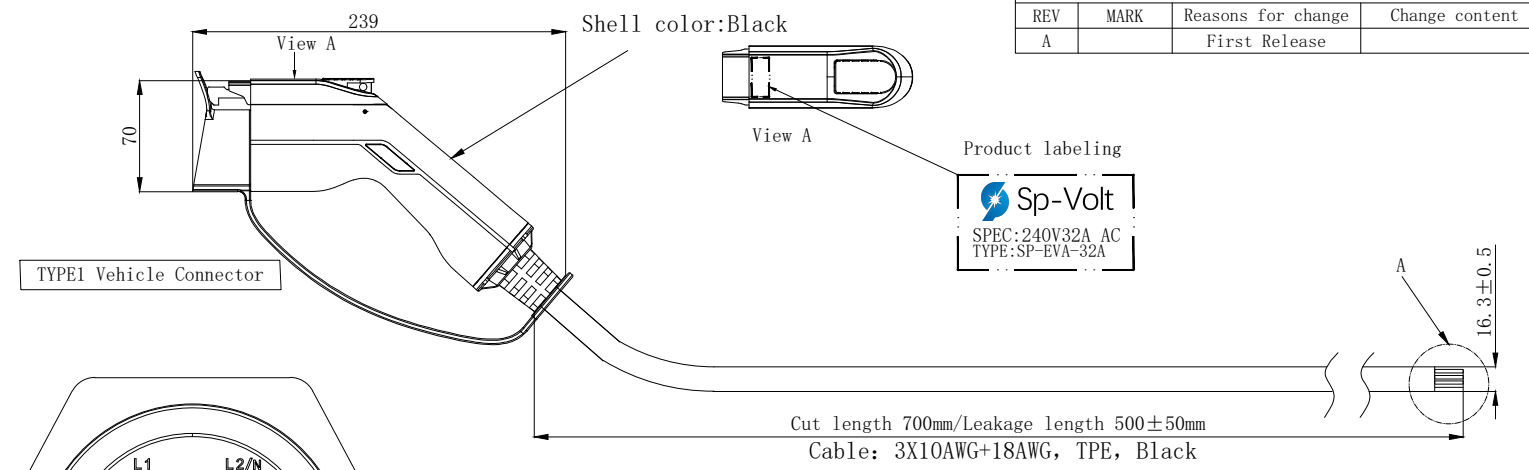
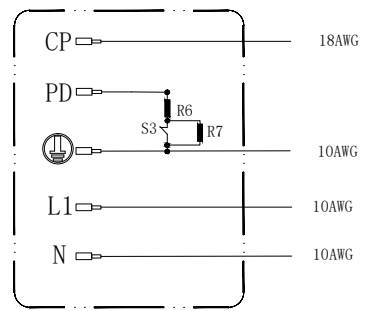


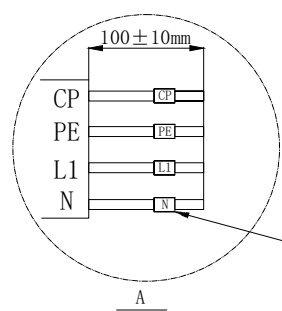
ECN					
REV	MARK	Reasons for change	Change content	Name	Date
A		First Release		W. Z	2024.03.26



Vehicle Connector wiring diagram



Vehicle Connector Tail wiring diagram



Cables should be fitted with marking tubes

Technical Requirement:

- Product description: It meets the design and test requirements of SAE J1772-2010;
- Product performance: Voltage rating 240V
Current rating 32A
Dielectric Withstanding Voltage >2000V
- Appearance of the product: No oil stain, burr or other defects affecting the function of the product are found on the surface of the product.
- Resistance: R6, 150Ω; R7, 330Ω; S3, Microswitch;
- Control dimension: The dimension marked is the key dimension, which needs to be controlled.
- Environmental protection requirements: products meet RoHS requirements;

Customer signature:



Approval	Check	Design		-Unnoted tolerance-		SPVOLT EV CHARGING CABLE CO.LTD			
				Unite: mm	X ±0.30		Name: TYPE1 Vehicle Connector		
				Sheet: A4	X.X ±0.20			Part number:	
				Scale:	X.XX ±0.10				Draw number: YT1-M01-036
				Page:	Angle ±1°				
Material:	Weight:								