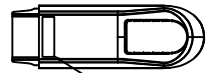
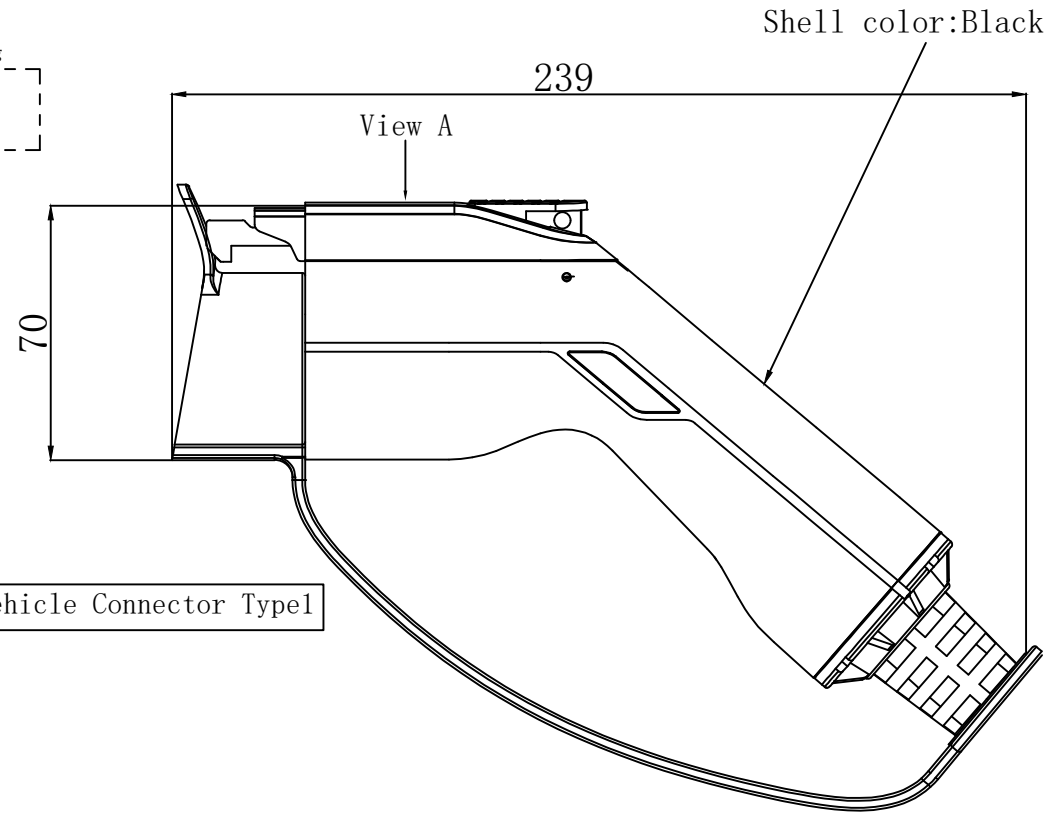
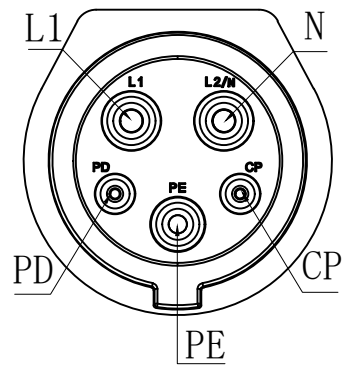


ECN					
REV	MARK	Reasons for change	Change content	Name	Date
A		First Release		ZYY	2024.06.26



Product labeling  
 SPEC:240V16A AC  
 TYPE:SP-EVA-16A

LASER



Vehicle Connector Type1

Technical Requirement:

- 1.Product description: It meets the design and test requirements of SAE J1772-2010;
- 2.Product performance:Voltage rating 240V  
Current rating 16A  
Dielectric Withstanding Voltage>2000V  
Ingress Protection: type 3S
- 3.Appearance of the product: No oil stain, burr or other defects affecting the function of the product are found on the surface of the product.
- 4.Resistance: R6, 150 Ω; R7, 330 Ω;
- 5.Control dimension: The dimension marked is the key dimension, which needs to be controlled.
- 6.Environmental protection requirements: products meet RoHs requirements;
- 7.Product Specification: 240V40A AC TYPE1 Vehicle Connector

Customer signature:



Approval	Check	Design		-Unnoted tolerance-		SPVOLT EV CHARGING CABLE CO., LTD		
				Unite: mm	X	±0.30	Name:	TYPE1 Vehicle Connector
				Sheet: A4	X.X	±0.20	Part number:	
				Scale:	X.XX	±0.10	Draw number:	YT2-SZMYD-08
			Page:	Material:	Weight:			