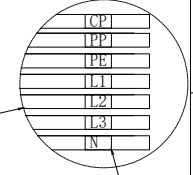
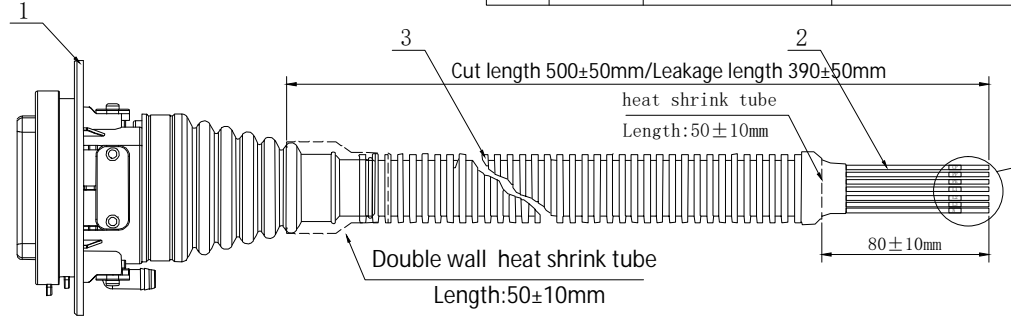
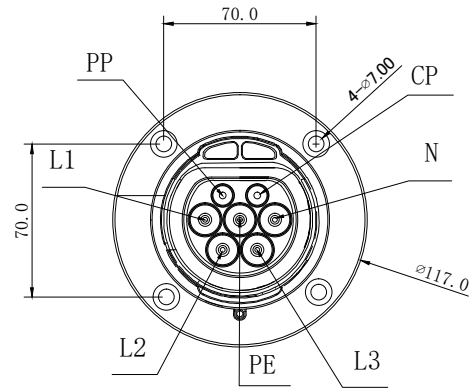
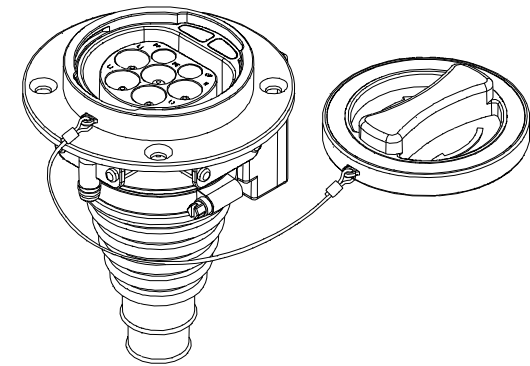
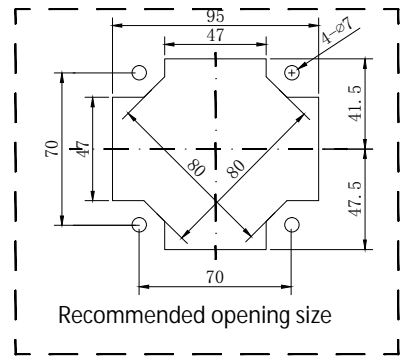
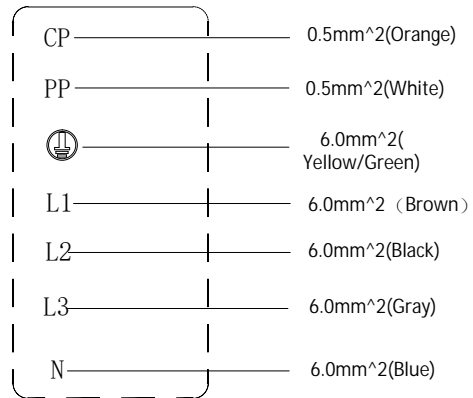


ECN					
REV	MARK	Reasons for change	Change content	Name	Date
A		First Release		W. Z	2024. 05. 06



Cables should be fitted with marking tubes

Vehicle inlet wiring diagram



Customer signature:

Technical Requirement:

- Product description: It meets the design and test requirements of IEC 62196-II F-2014;
- Product performance: Voltage rating 480V  
Current rating 32A  
Dielectric Withstanding Voltage > 2000V
- Appearance of the product: No oil stain, burr or other defects affecting the function of the product are found on the surface of the product.
- Control dimension: The dimension marked is the key dimension, which needs to be controlled.
- Environmental protection requirements: products meet RoHs requirements;



S/N	Part No.	Name	QTY	SPEC	Color	Remarks
3		Corrugated pipe	1	AD25	Orange	
2		EV Cable	1		Black	
1		TYPE 2 Inlet	1		Black	

Approval	Check	Design	Unit: mm	Sheet: A4	Scale:	Page:	Material:	Weight:	Name:	Part number:	Draw number:
									SP VOLT EV CHARGING CABLE CO.,LTD	TYPE2 Vehicle Inlet	YT5-Y99-033
									info@spvolt.com		