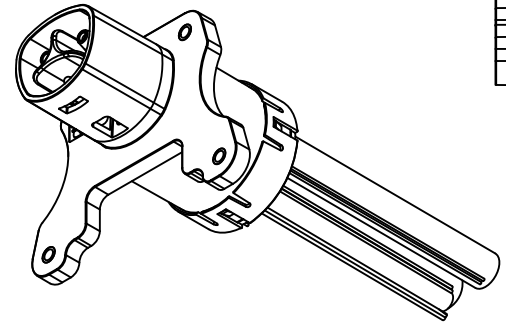
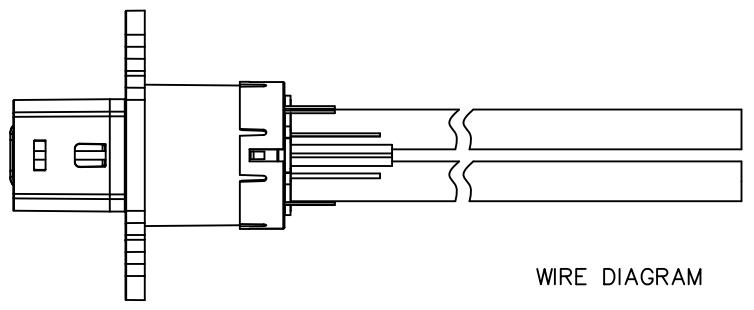
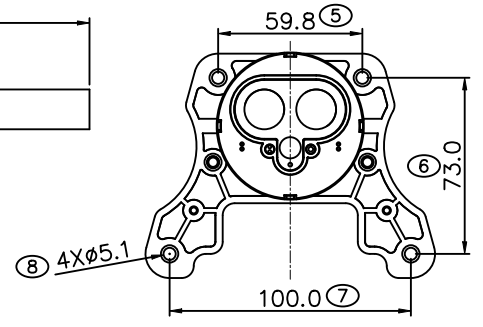
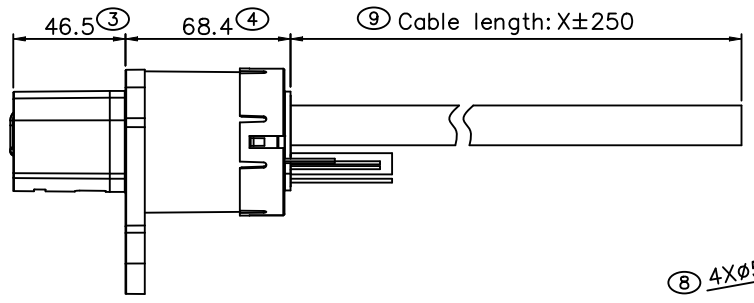
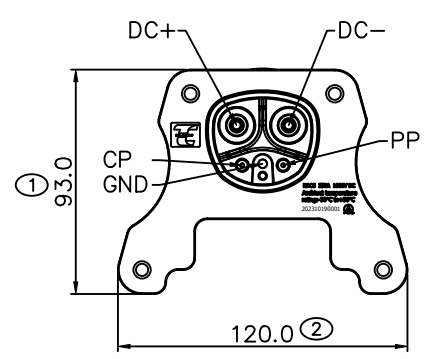


EDF REV.E	1	2	3	4	5	6	7	8
MOLD NO.	890-XXX	RFQ NO.	RFQ23507	REV.	ECN NO.	DESCRIPTION	APPD.	DATE
				X1	20231109XXX	New release	Hifong	11/09/23'
				X2	20231129XXX	Change WIRE DIAGRAM	Hifong	11/29/23'

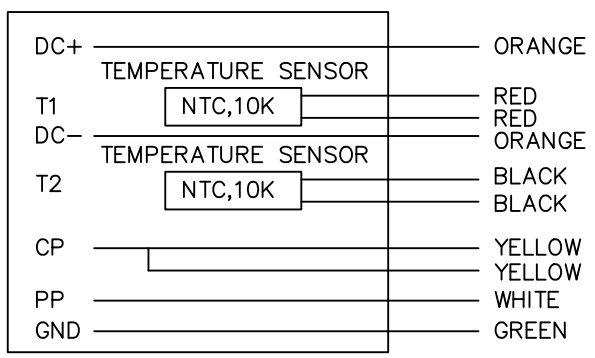
NACS 350A 1000V DC
Ambient temperature
rating:-30°C to+50°C
 202310190001

202310190001

manufacture date SN



WIRE DIAGRAM



66X16-XX

- 1-Cable length X: 0.5M(1.64FT)
- 2-Cable length X: 1.0M(3.28FT)
- 3-Cable length X: 1.5M(4.92FT)
- 4-Cable length X: 2.0M(6.56FT)
- 5-Cable length X: 2.5M(8.20FT)
- 6-Cable length X: 3.0M(9.84FT)
- 7-Cable length X: 3.5M(11.48FT)
- E-For Rated current:DC 350A
- 0-For Rated current:DC 300A
- 1-For Rated current:DC 250A
- 2-For Rated current:DC 200A
- 3-For Rated current:DC 125A/150A
- 4-For Rated current:DC 80A
- 5-For Rated current:DC 65A/60A/50A/48A
- 6-For Rated current:DC 40A
- 7-For Rated current:DC 32A
- 8-For Rated current:DC 16A
- NACS Vehicle inlet
- Actuators
- 0-with Actuators,NTC 10K
- 1-Without Actuators,NTC 10K
- 2-with Actuators,PT1000
- 3-Without Actuators,PT1000
- EV Cable

Product Features

- 1.Rated Current:16A,32A,40A,50A,60A,80A,125A,150A,200A,250A,300A,350A
- 2.Rated Voltage:1000VDC
- 3.Withstand Voltage:3000V AC
- 4.Contact Resistance: 0.35mΩ Max
- 5.Insulation Resistance:>=100MΩ(In the case of AC1000V)
- 6.Waterproof Level: IP67
- 7.Connection Method :Crimping
- 8.Ambient Temperature: -40°C-50°C
- 9.Operating Temperature:-40°C-105°C
- 10.Durability: 10000 Mating Cycles
11. All parts must be complant RoHS.

UNDECLARED TOLERANCE	CUS P/N:	
X.±1.0	X.*±2.0*	
.X±0.5	.X*±1.0*	PART NO.:
.XX±0.25	.XX*±0.5*	SEE TABLE
UNITS: MM	APPD.: Hifong	TITLE: 1000V NACS Charging inlet with cable(16A-350A)
THESE DRAWINGS AND SPECIFICATIONS ARE THE PROPERTY OF TI-Lane AND SHALL NOT BE REPRODUCED,COPIED OR USED IN ANY MANNER WITHOUT THE PRIOR WRITTEN CONSENT OF TI-Lane.	CHKD.: Hifong	DWG NO.: D65601
	DR.: Hifong 11/09/23'	SCALE SHEET REV. 1:2 1/3 X2

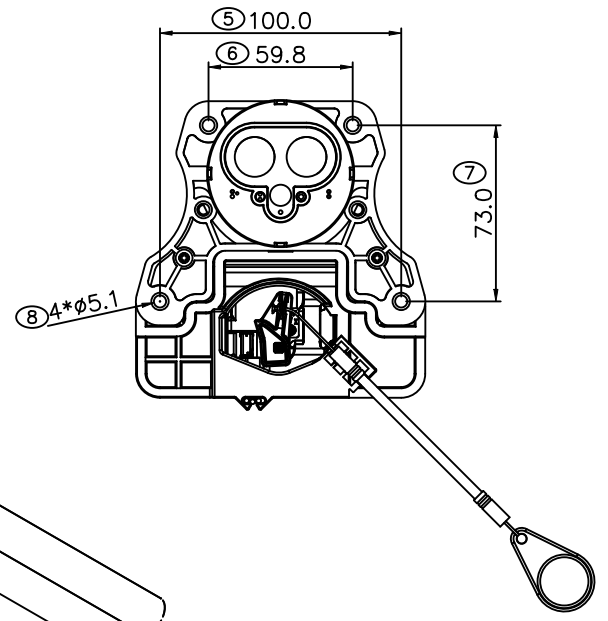
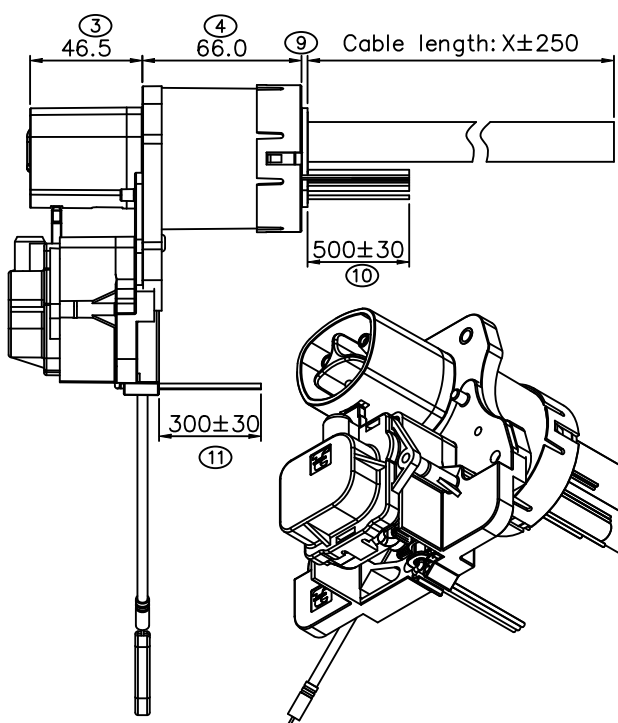
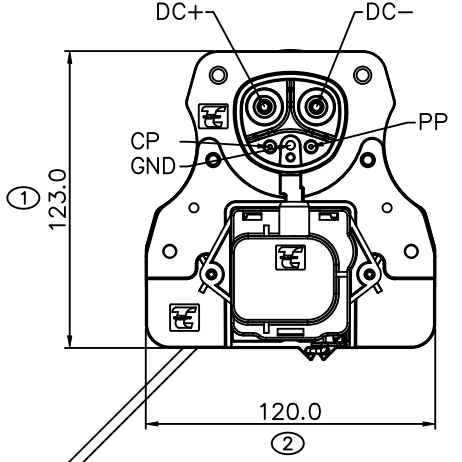
1	PART_NAME	DESCRIPTION	ITME
ITEM	PART NAME	DESCRIPTION	QTY

EDF REV.E	1	2	3	5	6	7	8	
MOLD NO.	890-XXX	RFQ NO.	RFQ23507	REV.	ECN NO.	DESCRIPTION	APPD.	DATE
				X1	20231109XXX	New release	Hifong	11/09/23'
				X2	20231129XXX	Change WIRE DIAGRAM	Hifong	11/29/23'

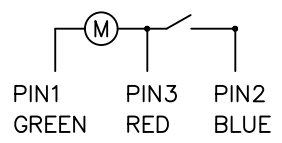
NACS 350A 1000V DC
Ambient temperature
rating:-30°C to+50°C
 202310190001

202310190001

manufacture date SN



WIRE DIAGRAM



DC+	TEMPERATURE SENSOR	ORANGE
T1	NTC,10K	RED
DC-	TEMPERATURE SENSOR	RED
T2	NTC,10K	ORANGE
CP		BLACK
PP		BLACK
GND		YELLOW
		YELLOW
		WHITE
		GREEN

Pin assignment / electrical connection		Lock lever Motion
PIN1(GREEN)	PIN3(RED)	
-	+	Unlocking (Lock lever back)
+	-	Locking (Lock lever forward)

UNDECLARED TOLERANCE		CUS P/N:	
X.±1.0	X.*±2.0'		
.X±0.5	.X'±1.0'	PART NO.:	TITLE:
.XX±0.25	.XX'±0.5'	SEE TABLE	1000V NACS Charging inlet with cable(16A-350A)
UNITS: MM		APPD.: Hifong	DWG NO.: D65601
THESE DRAWINGS AND SPECIFICATIONS ARE THE PROPERTY OF TI-Lane AND SHALL NOT BE REPRODUCED, COPIED OR USED IN ANY MANNER WITHOUT THE PRIOR WRITTEN CONSENT OF TI-Lane.		CHKD.: Hifong	SCALE SHEET REV. 1:2 1/3 X2
		DR.: Hifong 11/09/23'	

1	PART_NAME	DESCRIPTION	ITME
ITEM	PART NAME	DESCRIPTION	QTY
1			
2			
3			
4			
5			
6			
7			
8			

MOLD NO. 890-XXX	RFQ NO. RFQ23507	REV. X1	ECN NO. 20231109XXX	DESCRIPTION	APPD. Hifong	DATE 11/09/23'
NTC 10K Temperature Sensor Parameter:		X2	20231129XXX	New release	Hifong	11/29/23'
				Change WIRE DIAGRAM		


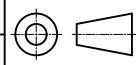
Temperature VS Resistance Table
 Resistance 10k Ohms at 25deg.C
 Resistance Tolerance +/-1%
 B Value 3950K at 25/50 deg.C
 B Value Tolerance +/-1%

Temp. (deg.C)	Rmax (k Ohms)	Rnor (k Ohms)	Rmin (k Ohms)
-30	186.3613	179.2666	172.4247
-29	174.9608	168.4053	162.0793
-28	164.3317	158.2726	152.4218
-27	154.4170	148.8151	143.4022
-26	145.1643	139.9837	134.9746
-25	136.5254	131.7332	127.0964
-24	128.4558	124.0216	119.7285
-23	120.9146	116.8107	112.8348
-22	113.8640	110.0648	106.3818
-21	107.2691	103.7512	100.3387
-20	101.0977	97.8396	94.6771
-19	95.3201	92.3020	89.3705
-18	89.9088	87.1124	84.3946
-17	84.8385	82.2471	79.7268
-16	80.0856	77.6837	75.3463
-15	75.6284	73.4018	71.2336
-14	71.4468	69.3823	67.3708
-13	67.5220	65.6077	63.7412
-12	63.8370	62.0616	60.3295
-11	60.3755	58.7288	57.1212
-10	57.1228	55.5953	54.1032
-9	54.0651	52.6480	51.2629
-8	51.1895	49.8747	48.5889
-7	48.4842	47.2643	46.0705
-6	45.9381	44.8062	43.6978
-5	43.5409	42.4906	41.4615
-4	41.2831	40.3086	39.3531
-3	39.1559	38.2516	37.3644
-2	37.1508	36.3117	35.4880
-1	35.2603	34.4817	33.7169
0	33.4771	32.7547	32.0447
1	31.7945	31.1243	30.4652
2	30.2064	29.5847	28.9728
3	28.7068	28.1301	27.5623
4	27.2904	28.1301	27.5623
5	25.9521	25.4562	24.9672
6	24.6872	24.2274	23.7738
7	23.4912	23.0650	22.6443
8	22.3599	21.9650	21.5750
9	21.2897	20.9239	20.5622
10	20.2768	19.9380	19.6028
11	19.3178	19.0041	18.6937
12	18.4096	18.1193	17.8318

Temp. (deg.C)	Rmax (k Ohms)	Rnor (k Ohms)	Rmin (k Ohms)
13	17.5493	17.2807	17.0146
14	16.7340	16.4857	16.2394
15	15.9612	15.7317	15.5040
16	15.2284	15.0164	14.8059
17	14.5333	14.3376	14.1432
18	13.8738	13.6933	13.5139
19	13.2479	13.0816	12.9160
20	12.6537	12.5005	12.3479
21	12.0895	11.9485	11.8080
22	11.5535	11.4239	11.2946
23	11.0442	10.9252	10.8064
24	10.5602	10.4510	10.3419
25	10.1000	10.0000	9.9000
26	9.6709	9.5709	9.4710
27	9.2623	9.1626	9.0630
28	8.8732	8.7738	8.6747
29	8.5025	8.4037	8.3052
30	8.1494	8.0512	7.9534
31	7.8128	7.7154	7.6184
32	7.4919	7.3953	7.2993
33	7.1859	7.0903	6.9953
34	6.8940	6.7995	6.7056
35	6.6156	6.5221	6.4294
36	6.3498	6.2576	6.1660
37	6.0962	6.0051	5.9148
38	5.8540	5.7642	5.6752
39	5.6227	5.5342	5.4465
40	5.4018	5.3146	5.2283
41	5.1907	5.1049	5.0199
42	4.9890	4.9045	4.8210
43	4.7961	4.7130	4.6309
44	4.6117	4.5300	4.4494
45	4.4354	4.3551	4.2759
46	4.2667	4.1878	4.1100
47	4.1053	4.0278	3.9515
48	3.9508	3.8748	3.7999
49	3.8030	3.7283	3.6548
50	3.6614	3.5882	3.5161
51	3.5258	3.4540	3.3833
52	3.3960	3.3255	3.2562
53	3.2715	3.2025	3.1346
54	3.1523	3.0846	3.0181
55	3.0380	2.9717	2.9065

Temp. (deg.C)	Rmax (k Ohms)	Rnor (k Ohms)	Rmin (k Ohms)
56	2.9285	2.8635	2.7996
57	2.8234	2.7597	2.6972
58	2.7227	2.6603	2.5990
59	2.6260	2.5649	2.5049
60	2.5333	2.4734	2.4147
61	2.4443	2.3856	2.3282
62	2.3589	2.3014	2.2452
63	2.2768	2.2206	2.1656
64	2.1981	2.1431	2.0892
65	2.1224	2.0686	2.0159
66	2.0498	1.9970	1.9455
67	1.9800	1.9283	1.8779
68	1.9129	1.8623	1.8130
69	1.8484	1.7989	1.7507
70	1.7864	1.7380	1.6908
71	1.7267	1.6794	1.6332
72	1.6694	1.6231	1.5779
73	1.6142	1.5689	1.5247
74	1.5612	1.5168	1.4736
75	1.5101	1.4667	1.4245
76	1.4610	1.4185	1.3772
77	1.4137	1.3722	1.3317
78	1.3681	1.3275	1.2880
79	1.3243	1.2845	1.2458
80	1.2820	1.2431	1.2053
81	1.2413	1.2033	1.1663
82	1.2021	1.1649	1.1287
83	1.1644	1.1279	1.0926
84	1.1279	1.0923	1.0577
85	1.0928	1.0580	1.0241
86	1.0590	1.0249	0.9918
87	1.0264	0.9930	0.9606
88	0.9949	0.9623	0.9306
89	0.9646	0.9326	0.9016

Temp. (deg.C)	Rmax (k Ohms)	Rnor (k Ohms)	Rmin (k Ohms)
90	0.9353	0.9040	0.8737
91	0.9070	0.8764	0.8468
92	0.8797	0.8498	0.8208
93	0.8534	0.8241	0.7958
94	0.8280	0.7994	0.7716
95	0.8035	0.7754	0.7483
96	0.7798	0.7523	0.7258
97	0.7569	0.7300	0.7041
98	0.7348	0.7085	0.6831
99	0.7134	0.6877	0.6628
100	0.6928	0.6676	0.6433
101	0.6728	0.6482	0.6244
102	0.6536	0.6295	0.6062
103	0.6349	0.6113	0.5885
104	0.6169	0.5938	0.5715
105	0.5995	0.5769	0.5550
106	0.5826	0.5605	0.5391
107	0.5663	0.5447	0.5237
108	0.5506	0.5293	0.5089
109	0.5353	0.5145	0.4945
110	0.5206	0.5002	0.4806
111	0.5063	0.4863	0.4671
112	0.4924	0.4729	0.4541
113	0.4791	0.4599	0.4415
114	0.4661	0.4474	0.4293
115	0.4535	0.4352	0.4175
116	0.4414	0.4234	0.4061
117	0.4296	0.4120	0.3951
118	0.4182	0.4009	0.3844
119	0.4071	0.3902	0.3740
120	0.3964	0.3799	0.3640

UNDECLARED TOLERANCE			SPVOLT EV CHARGING CABLE CO.,LTD info@spvolt.com			
X.±1.0	X.*±2.0*		PART NO.:	TITLE: 1000V NACS Charging inlet with cable(16A-350A)		
.X±0.5	.X*±1.0*	SEE TABLE	DWG NO.: D65601			
.XX±0.25	.XX*±0.5*		APPD.: Hifong			
UNITS: MM		APPD.: Hifong	DWG NO.: D65601			
THESE DRAWINGS AND SPECIFICATIONS ARE THE PROPERTY OF TI-Lane AND SHALL NOT BE REPRODUCED, COPIED OR USED IN ANY MANNER WITHOUT THE PRIOR WRITTEN CONSENT OF TI-Lane.		CHKD.: Hifong		SCALE	SHEET	REV.
		DR.: Hifong 11/09/23'		1:2	3/3	X2

1	PART_NAME	DESCRIPTION	ITME
ITEM	PART NAME	DESCRIPTION	QTY