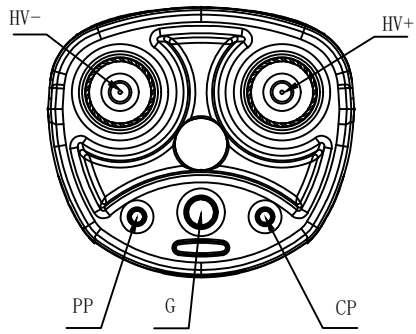
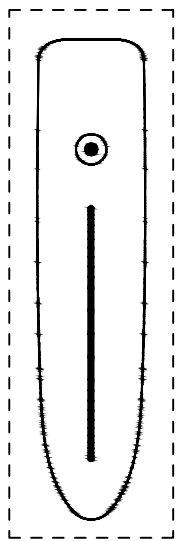
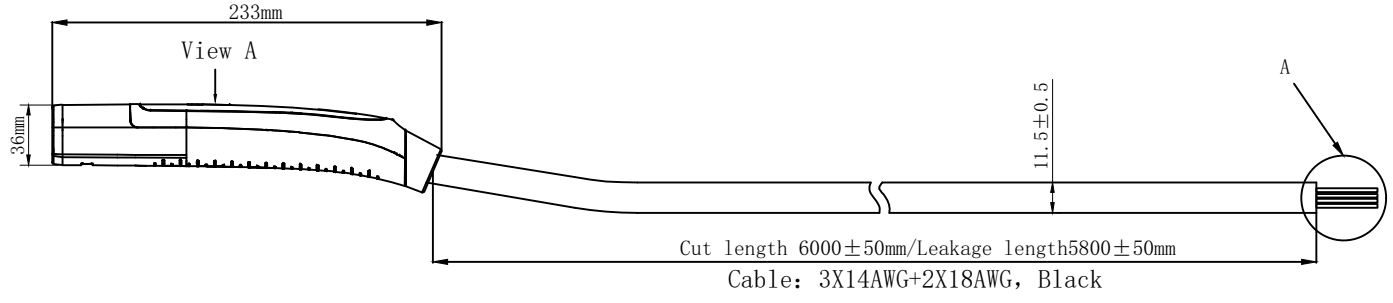
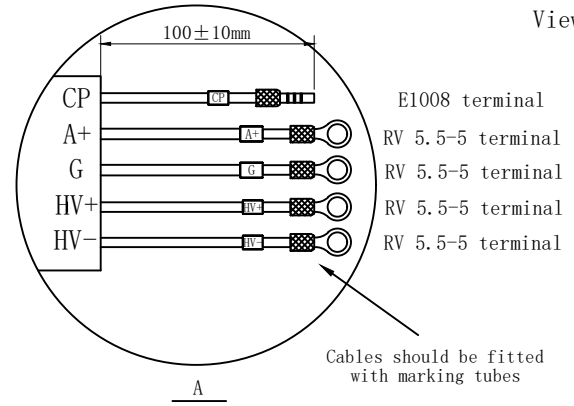
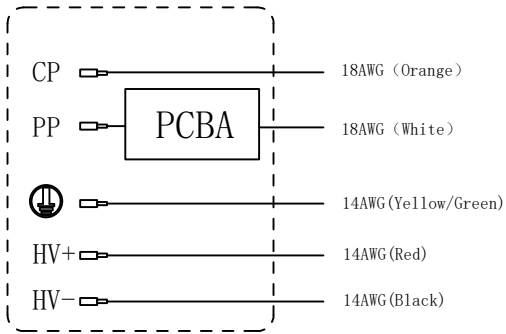


REV		MARK	Reasons for change	ECN	Change content	Name	Date
B			First Release			ZYY	2024.03.06



Vehicle Connector wiring diagram

Vehicle Connector Tail wiring diagram



Technical Requirement:

- Product description: It meets the design of NACS and test requirements of UL 2251;
- Product performance: Voltage rating 240V AC
Current rating 16A
Dielectric Withstanding Voltage >2000V
- Appearance of the product: No oil stain, burr or other defects affecting the function of the product are found on the surface of the product.
- Resistance: R6, 150Ω; R7, 330Ω; (PCBA)
- Control dimension: The dimension marked is the key dimension, which needs to be controlled.
- Environmental protection requirements: products meet RoHs requirements;

Customer signature:



Approval	Check	Design		-Unnoted tolerance- X ±0.30 X.X ±0.20 X.XX ±0.10 Angle ±1°	SPVOLT EV CHARGING CABLE CO. LTD		
					Unit: mm	Name:	NACS Vhicle Connector
					Sheet: A4	Part number:	
					Scale:	Draw number:	YT4-XC-02
			Page:	Material:	Weight:		