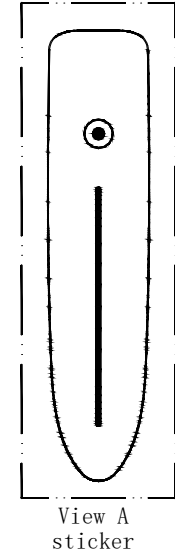
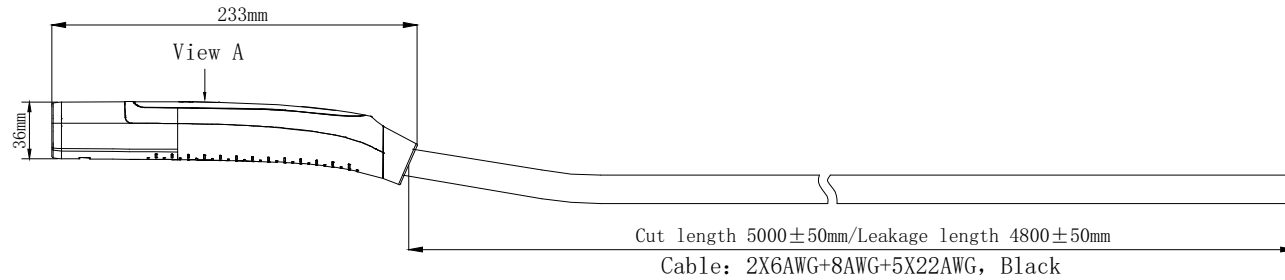
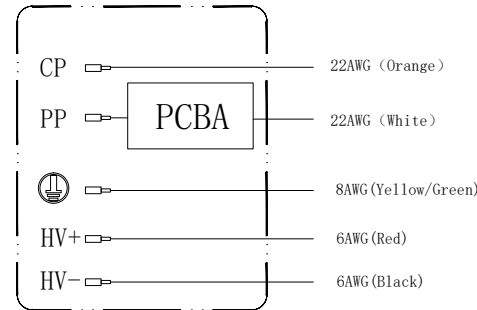
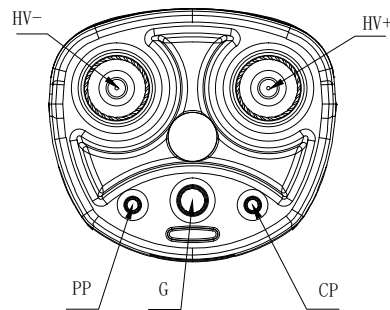


ECN					
REV	MARK	Reasons for change	Change content	Name	Date
A		First Release		W. Z	2024.05.07



Vehicle Connector wiring diagram



Technical Requirement:

- Product description: It meets the design of NACS and test requirements of UL 2251;
- Product performance: Voltage rating 240V AC  
Current rating 80A  
Dielectric Withstanding Voltage >2000V
- Appearance of the product: No oil stain, burr or other defects affecting the function of the product are found on the surface of the product.
- Resistance: R6, 150 Ω; R7, 330 Ω; (PCBA)
- Control dimension: The dimension marked is the key dimension, which needs to be controlled.
- Environmental protection requirements: products meet RoHs requirements;

Customer signature:



Approval	Check	Design		-Unnoted tolerance-		SPVOLT EV CHARGING CABLE CO.LTD	
				Unite: mm	X ±0.30	Name:	NACS Vehicle Connector
				Sheet: A4	X.X ±0.20	Part number:	
				Page:	X.XX ±0.10	Draw number:	YT1-X02-036
				Material:	Weight:		