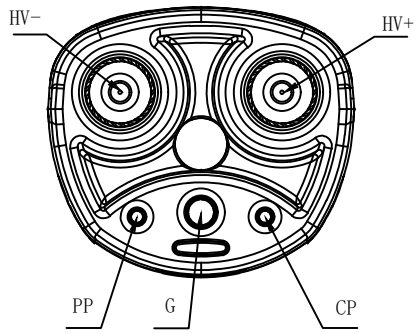
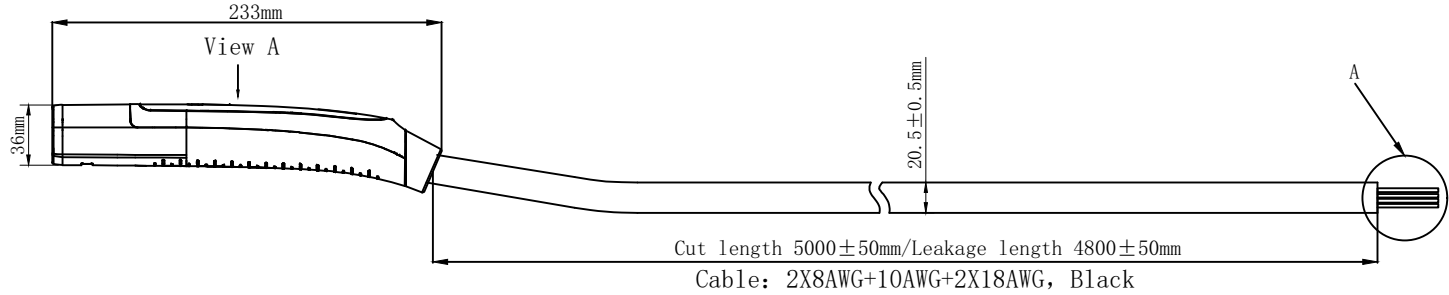
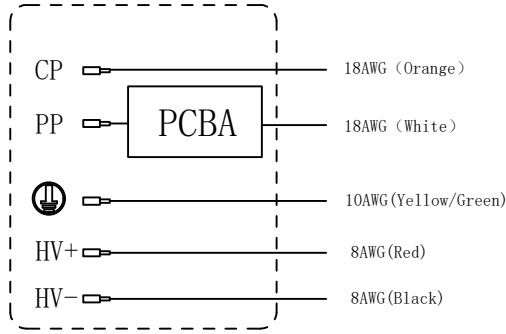


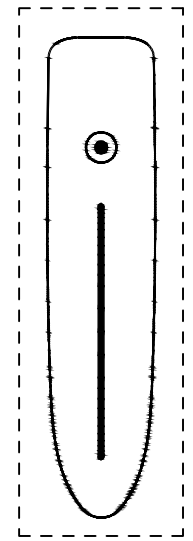
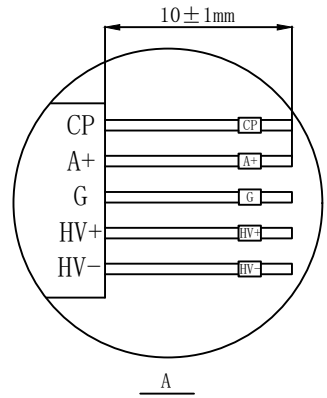
REV		MARK	Reasons for change	ECN	Change content	Name	Date
A			First Release			ZYY	2024.04.15



Vehicle Connector wiring diagram



Vehicle Connector Tail wiring diagram



View A Sticker

Technical Requirement:

- Product description: It meets the design of NACS and test requirements of UL 2251;
- Product performance: Voltage rating 240V
Current rating 48A
Dielectric Withstanding Voltage >2000V
- Appearance of the product: No oil stain, burr or other defects affecting the function of the product are found on the surface of the product.
- Resistance: R6, 150 Ω; R7, 330 Ω; (PCBA)
- Control dimension: The dimension marked is the key dimension, which needs to be controlled.
- Environmental protection requirements: products meet RoHs requirements;

Customer signature:



Approval	Check	Design		-Unnoted tolerance-	SPVOLT EV CHARGING CABLE CO. LTD	
				X		±0.30
				X.X		±0.20
				X.XX		±0.10
			Angle	±1°	Name: NACS Vehicle Connector	
			Unit: mm		Part number:	
			Sheet: A4		Draw number: YT4-XC-50-2	
			Scale:			
			Page:	Material:	Weight:	