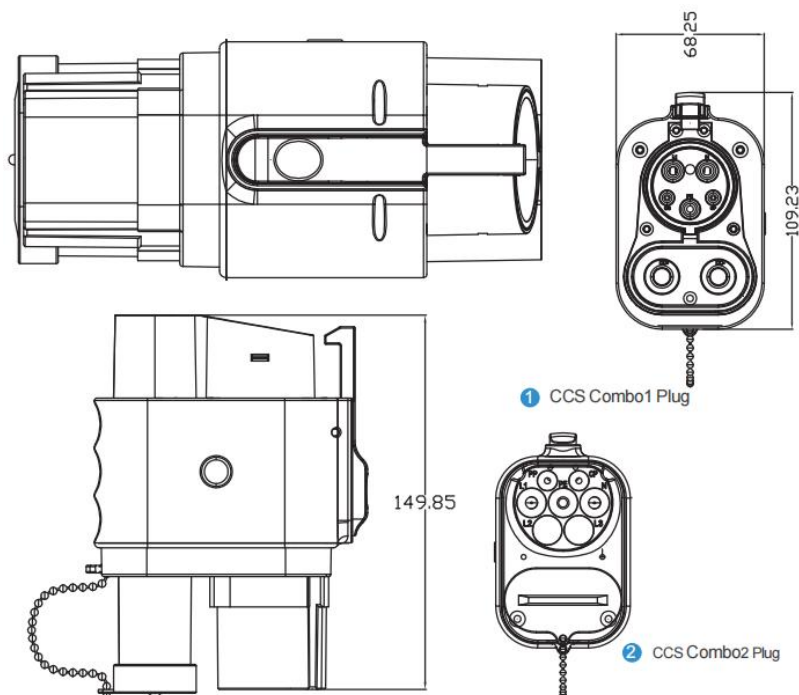


**PRODUCT NAME:****CCS2 TO CCS1 DC + AC ADAPTER****APPLICATION:****Convenient Charging for U.S. Electric Vehicles in Europe:**

The CCS2 TO CCS1 adapter is designed to meet the unique charging requirements of U.S. electric vehicles in Europe. It provides hassle-free compatibility between CCS Combo 2 charging stations, which are widely used in Europe, and U.S. electric vehicles equipped with CCS Combo 1 ports.



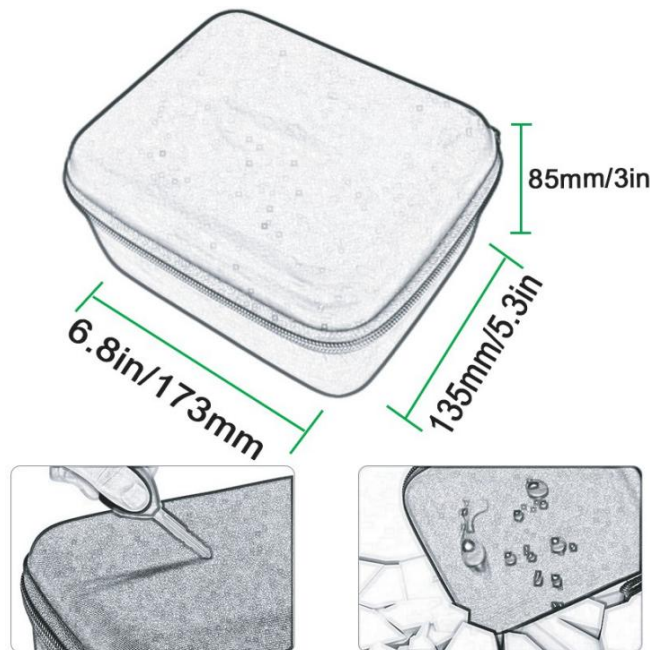
SPECIFICATIONS:

- Current: Max. 200A
- Operating voltage: 200~1,000V DC
- Insulation resistance: >1,000mΩ
- Contact resistance: <5mΩ
- Flame retardant grade: UL94-V0
- Operating temperature: -40°C ~ +85°C
- Pins: Copper alloy, silver plated
- Service life: >10,000 times
- Housing material: Plastic (PC + ABS)
- Storage temperature: -30°C ~ 50°C
- Special feature: Safety lock
- Input port: CCS Combo 2
- Output port: CCS Combo 1
- Protection grade: IP54

Protection from dirt, dust, oil, and other non-corrosive material. Complete protection from contact with enclosed equipment. Protection from water, up to water projected by a nozzle against enclosure from any direction.

TRAVEL STORAGE CASE:

- The protect case provide full protection, ccs2 to ccs1 adapter storage case is made of premium eva, which is shockproof and dust resistance and skid-proof against impacts.



STABLE PERFORMANCE:

Reliable design, stable and efficient charging performance. It can withstand the demands of different charging environments, ensuring reliable power for your American electric vehicle.

CONVENIENT DESIGN:

The adapter features a user-friendly design that makes it easy to connect and disconnect. Simply plug the CCS Combo 2 end into the charging station and the CCS Combo 1 end into the charging port of your U.S. electric vehicle.

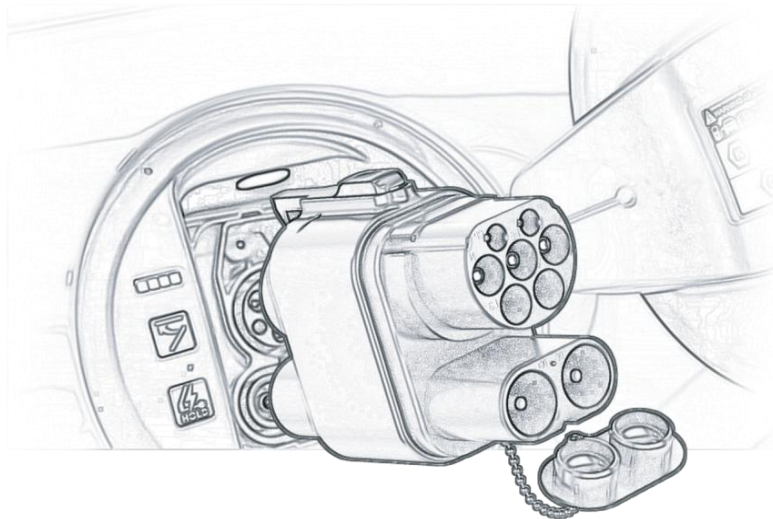
Charging your car will be simple and easy.

QUALITY CONSTRUCTION:

The CCS2 TO CCS1 adapter is manufactured with durable materials to ensure long-lasting performance. It is designed to withstand the rigors of everyday charging, providing peace of mind and reliability for American EV owners in Europe.

HOW TO USE:

With the CCS2 TO CCS1 adapter, U.S. electric vehicle owners can embark on their journey to Europe with confidence. Say goodbye to the inconvenience of carrying multiple adapters or worrying about charging compatibility, the CCS2 TO CCS1 adapter is your all-in-one solution for seamless charging in Europe.



CAUTIONS:

- It's not a toy, keep away from your children.
- Clean only with dry cloth.
- Avoid dismantling, dropping or heavy impact.

STORAGE AND MAINTENANCE:

- Store the adapter in a cool, dry place.
- Regularly inspect the adapter for any signs of wear or damage.
- Clean the adapter with a dry cloth; do not use water or solvents.

WARRANTY:

- This product includes a 1-year warranty.
- In case of misuse, mishandling, negligence, vehicle accidents or modifications, the warranty will be voided. Our warranty only covers manufacturing defects.