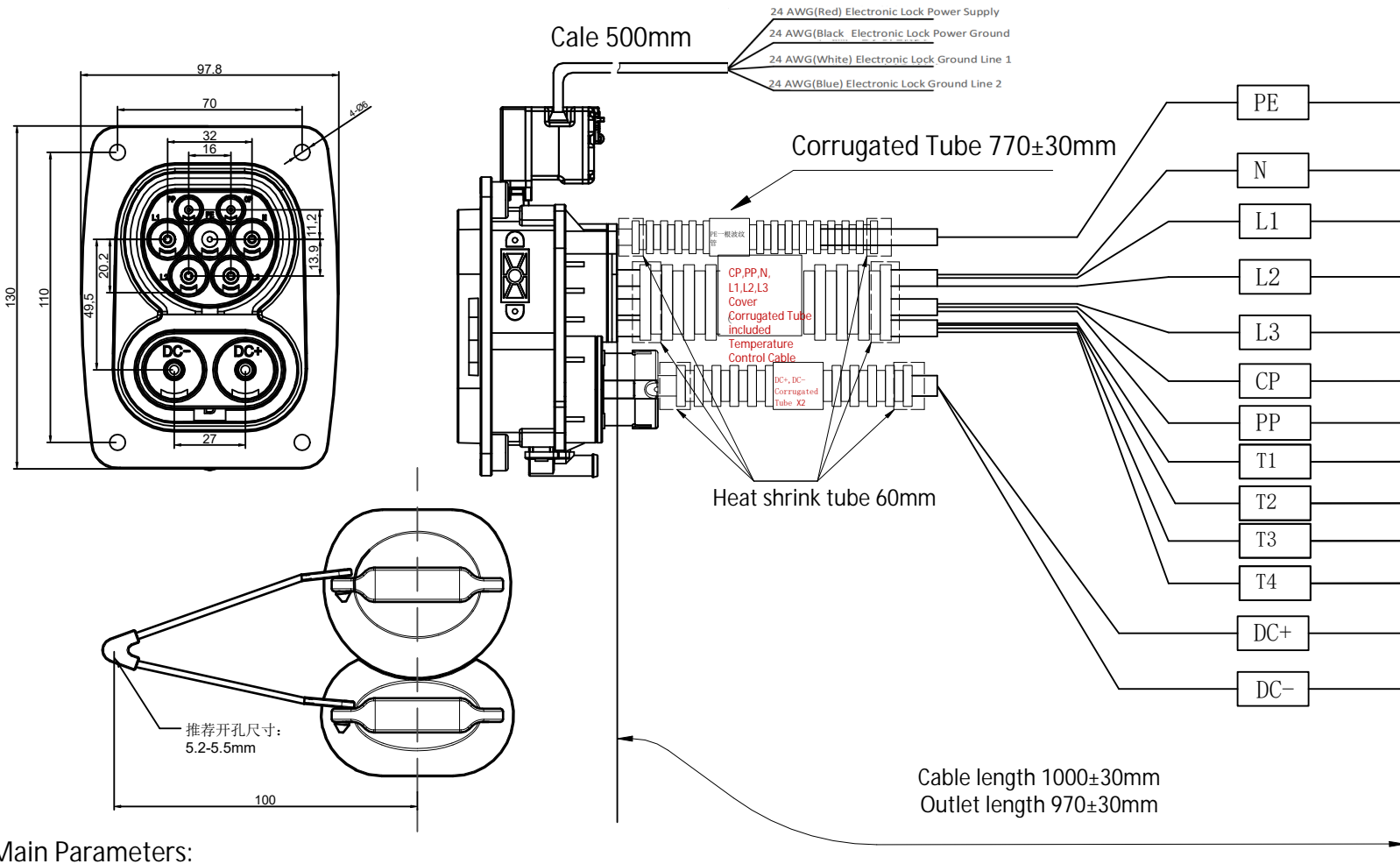
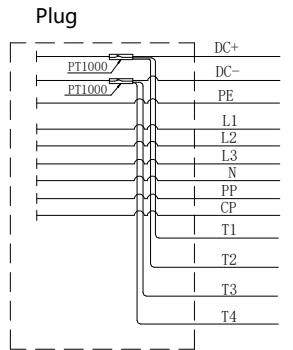


版本	标记	修订内容	签名	日期
1.0		初始发行	华佳辉	20220520

Charging plug: according to IEC62196-3 2016



Method of connecting wire



Single-core wire

功能	颜色(Colour)	
DC+	红色(Red)	35mm ²
DC-	黑色(Black)	35mm ²
PE	黄绿(Yellow-Green)	25mm ²
N	蓝色(Blue)	6mm ²
L3	灰色(Gray)	6mm ²
L2	黑色(Black)	6mm ²
L1	棕色(Brown)	6mm ²
CP	白色(White)	0.75mm ²
PP	橙色(Orange)	0.75mm ²
T1	棕色(Brown)	0.75mm ²
T2	灰色(Gray)	0.75mm ²
T3	蓝色(Blue)	0.75mm ²
T4	紫色(Purple)	0.75mm ²

Main Parameters:

- Rated Current: 125A
- Rated Voltage: 1000VDC
- Insulation Resistance: >5M (DC1000V)
- Withstand Voltage: 3000V

- Fireproof Grade of Rubber Shell: UL94V-0
- Mechanical Life: Unloaded Plugged >10000
- Housing Protection Class: IP54
- Shell Material: Thermoplastic Plastic

- Conductor: Copper Alloy, Silver Plated Surface
- Working Environment Temperature: -30°C to +50°C
- Terminal Temperature Rise: <50K
- Insertion and Extraction Force: <100N

Schematic Diagram of Electronic Lock Operation and Control

12V (Red line)	GND (Black line)	Overcurrent Protection	Reverse Connection Protection
+	-	Locking State	Charging
-	+	Unlocking State	Disconnecting

Client NO	
Confirm	

				Material	PA66+GF30%	Color	Black
				Item	CCS2 SOCKET	Unit	mm
						Version	1.0

