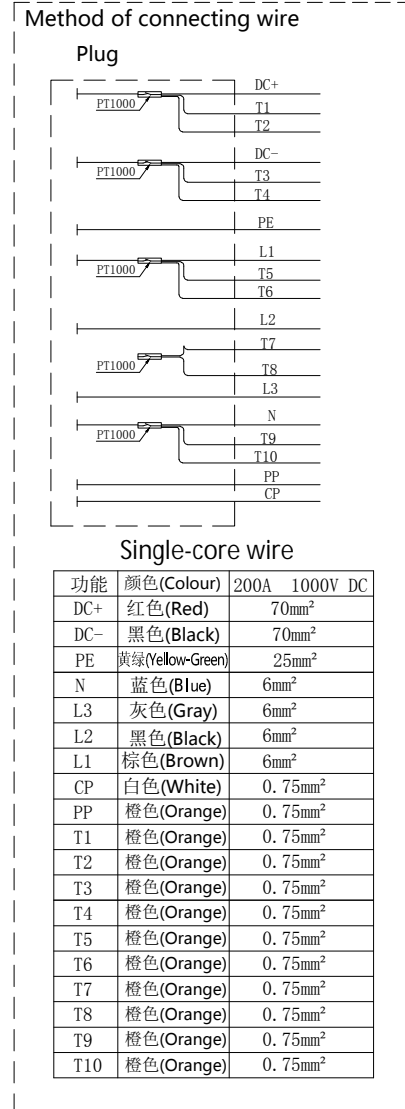
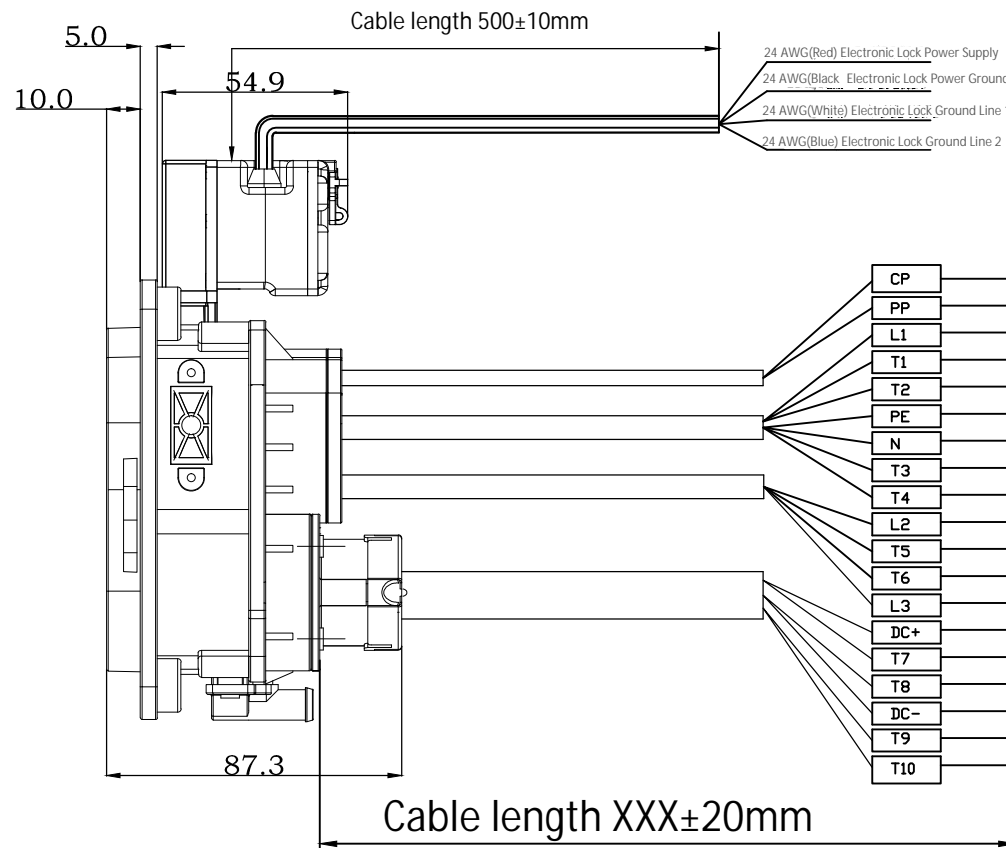
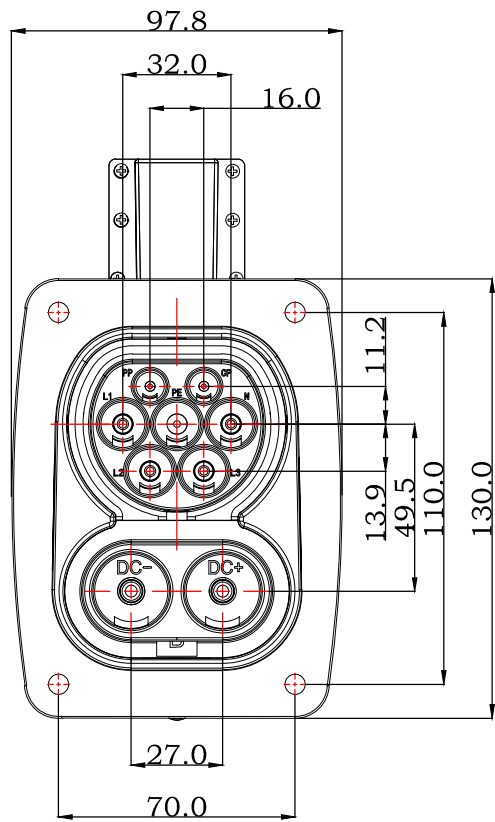


版本	标记	修订内容	签名	日期
1.0		初始发行	张立	2020.08.24

1. Plug standing : IEC62196-3 2014



Main Parameters

- Rated Current: 200A
- Rated Voltage: 1000VDC
- Insulation Resistance: >2000M (DC1000V)
- Withstand Voltage: 3200V

- Fireproof Grade of Rubber Shell: UL94V-0
- Mechanical Life: Unloaded Plugged: >10000
- Waterproof Grade: IP55 (mating)
- Plastic Shell: Thermoplastic Plastic

- Conductor: Copper Alloy, Silver Plated Surface
- Working Environment Temperature: -30 to +50°C
- Terminal Temperature Rise: <50K
- Insertion and Extraction Force: <100N



Client NO		Date		Material	PA66+GF30%	(Shell color)	Black
Confirm		Date		Item NO	SP-IC-DC1.0	Sheet	A4
		Date		Item name	CCS2 SOCKET 200A	Unit	mm
		Date				Page	1/1
		SPVOLT EV CHARGING CABLE CO., LTD				Angle	
		info@spvolt.com				Version	1.0