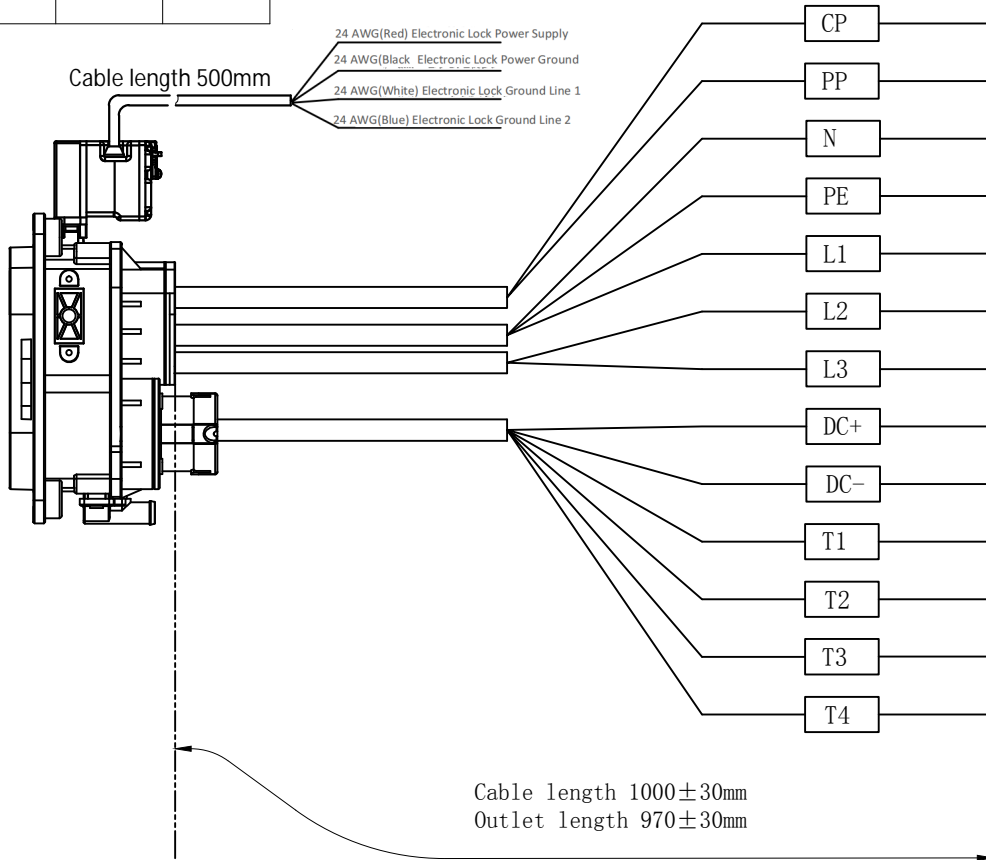
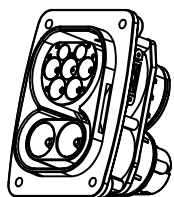
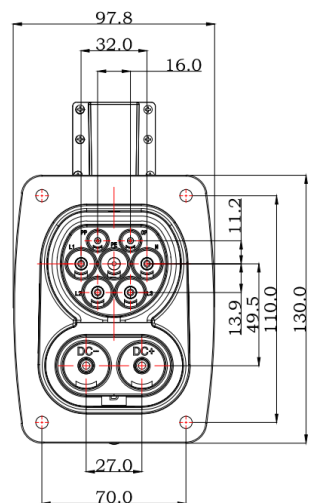
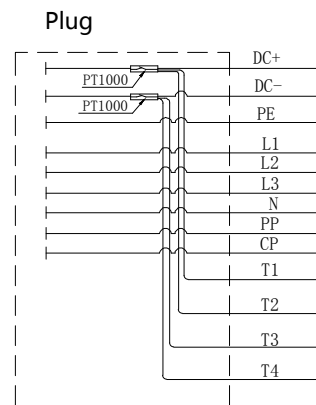


版本	标记	修订内容	签名	日期
1.0		初始发行	吴季军	2020.12.10

Charging plug: according to IEC62196-3 2016



Method of connecting wire



Single-core wire

功能	颜色(Colour)	80A	1000V DC
DC+	红色(Red)	16mm <sup>2</sup>	
DC-	黑色(Black)	16mm <sup>2</sup>	
PE	黄绿(Yellow-Green)	16mm <sup>2</sup>	
N	蓝色(Blue)	6mm <sup>2</sup>	
L3	黑色(Black)	6mm <sup>2</sup>	
L2	灰色(Gray)	6mm <sup>2</sup>	
L1	棕色(Brown)	6mm <sup>2</sup>	
CP	白色(White)	0.75mm <sup>2</sup>	
PP	橙色(Orange)	0.75mm <sup>2</sup>	
T1	棕色(Brown)	0.75mm <sup>2</sup>	
T2	灰色(Gray)	0.75mm <sup>2</sup>	
T3	蓝色(Blue)	0.75mm <sup>2</sup>	
T4	紫色(Purple)	0.75mm <sup>2</sup>	

Main Parameters:

- Rated Current: 80A
- Rated Voltage: 1000VDC
- Insulation Resistance: >2000M (DC1000V)
- Contact Impedance: 0.5 m Max

- Withstand Voltage: 3200V
- Fireproof Grade of Rubber Shell: UL94V-0
- Mechanical Life: Unloaded Plugged >10000
- Waterproof Grade: IP55 (mating)

- Shell Material: Thermoplastic Plastic
- Conductor: Copper Alloy, Silver Plated Surface
- Working Environment Temperature: -30°C to +50°C
- Terminal Temperature Rise: <50K
- Insertion and Extraction Force: <100N



				Material	PA66+GF30%	(Shell color)	Black
				Item NO	MIDA-CCS2-EV80S		
				Item Name	CCS2 SOCKET 80A	sheet	mm
						Page	1/1
Client NO		SPVOLT EV CHARGING CABLE CO., LTD				single	
Confirm		info@spvolt.com				Version	1.0