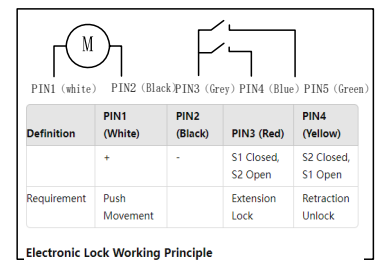
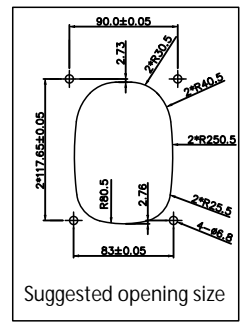
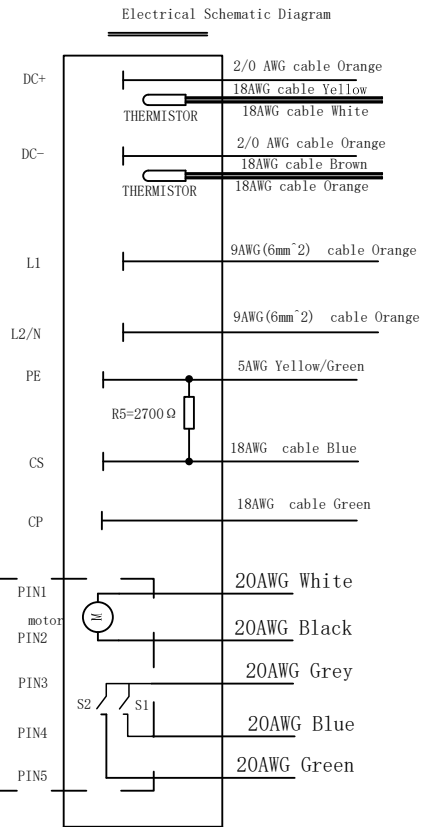


prints:
 TEV-ADS200N
 SAE J1772 CUS
 63A 250V AC, 200A 1000V DC
 202301010001

| Item | Parameter | Item | Parameter |
|-----------------------|----------------------------------|----------------------|------------------------|
| Rated Voltage | 600V AC | Environmental Range | -40°C ~ 125°C |
| Rated Current | 200A/125A/65A | Pollution Level | Level 3 |
| Withstand Voltage | DC Section ≥ 2500V AC | Protection Level | IP44 (for plug-in) |
| | CS Section ≥ 1500V AC | | IP54 (for non-plug-in) |
| Insulation Resistance | Insulation Condition ≥ 500MΩ | Flammability | UL94V-0 |
| Insertion Force | < 100N | Withdrawal Force | > 100N |
| Insulation Mode | Insulated conditions meet UL2251 | Plug-in Durability | 1000 cycles (live) |
| Shell Color | Black | Conductor Resistance | Low (Copper Alloy) |
| Housing Material | PA66 + 25% GF | Terminal Material | Copper Alloy |



Remark
 1. The thermistor PT1000 (with a resistance of 1000Ω at 0°C and 1385Ω at 100°C, and the resistance increases as the temperature rises);
 2. The two leads of the thermistor are not polarity-sensitive.

| | | |
|---|-------------|----------------------|
| UNDECLARED TOLERANCE | CUS P/N: | |
| X.±1.0 | X.*±2.0* | Cus P/N |
| .X±0.5 | .X*±1.0* | PART NO.: |
| .XX±0.25 | .XX*±0.5* | 66X06-XX |
| UNITS: MM | APPD.: | TITLE: |
| THESE DRAWINGS AND SPECIFICATIONS ARE THE PROPERTY OF TI-Lane AND SHALL NOT BE REPRODUCED, COPIED OR USED IN ANY MANNER WITHOUT THE PRIOR WRITTEN CONSENT OF TI-Lane. | CHKD.: | CCS1 Socket car side |
| | DR.: Jon.Xu | DWG NO.: |
| | | SCALE |
| | | SHEET |
| | | REV. |
| | | 1:1 |
| | | 1/1 |
| | | X1 |

| | | | | | | | |
|-----------|---------|----------|------|---------|--------------|-------|-----------|
| EDF REV.E | 1 | 2 | 3 | 5 | 6 | 7 | 8 |
| MOLD NO. | RFQ NO. | RFQ23506 | REV. | ECN NO. | DESCRIPTION | APPD. | DATE |
| | | | X1 | | New releases | Kezhi | 12/19/23' |

TABLE 1:

| FIRST "X" of 66X06-XX | SENSOR |
|-----------------------|-----------------------------|
| 0 | 0-with Actuators,NTC 10K |
| 1 | 1-without Actuators,NTC 10K |
| 2 | 2-with Actuators,PT1000 |
| 3 | 3-without Actuators,PT1000 |

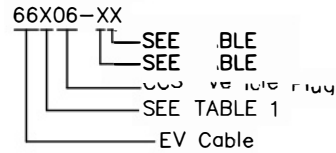
TABLE 2:

| SECOND "X" of 66X11-XX | Rated current |
|------------------------|--------------------|
| 0 | DC 200A and AC 63A |
| 1 | DC 200A and AC 40A |
| 2 | DC 200A and AC 32A |
| 3 | DC 125A and AC 63A |
| 4 | DC 125A and AC 40A |
| 5 | DC 125A and AC 32A |
| 6 | DC 65A and AC 63A |
| 7 | DC 65A and AC 40A |
| 8 | DC 65A and AC 32A |

TABLE 3:

| THIRD "X" of 66X11-XX | Cable length X |
|-----------------------|----------------|
| 1 | 0.5M(8.20FT) |
| 2 | 1.0M(9.84FT) |
| 3 | 1.5M(11.48FT) |
| 4 | 2.0M(13.12FT) |
| 5 | 2.5M(14.76FT) |
| 6 | 3.0M(16.40FT) |
| 7 | 3.5M(18.04FT) |

ORDER NO.:



Technical Requirements:

- The wiring harness assembly must meet IP67 protection level;
- The wiring harness must have Chinese function labels attached, with cable numbers ensuring they do not come off;
- The cables should be labeled with the product name, product code, supplier name, and production date;
- The connector surfaces should be free of damage, burrs, and sharp edges, with uniform plating that has no overlapping, blank, or peeling areas;
- Terminals must be crimped using specialized tools, with crimping pull strength and cross-sections subject to initial inspection, according to the reference standard QC/T 29106-2014 "Technical Specifications for Automotive Wiring Harnesses."
- Cable rated voltage: DC 1500V; Cable heat resistance rating: -40°C to +125°C;
- Wiring harness length tolerance, refer to the standard QC/T 29106-2014 "Technical Specifications for Automotive Wiring Harnesses";
- Wiring harness withstand voltage test: DC/AC section: 2500V AC for 5 seconds, leakage current ≤ 5mA; Insulation test: 1000V DC for 5 seconds, insulation resistance ≥ 500MΩ.

| CCS1 VEHICLE PLUG | | | | | | |
|-------------------|--------|------|---------|-------|-----------|----------------|
| No. | DC | PE | L1、L2/N | CS/PP | Actuators | Rated current |
| 1 | 2/0AWG | 3AWG | 5AWG | 18AWG | 20AWG | 200A/DC、63A/AC |
| 2 | 1/0AWG | 3AWG | 7AWG | | | 125A/DC、32A/AC |
| 3 | 8AWG | 3AWG | 9AWG | | | 65A/DC、16A/AC |



| | | | | | | |
|---|-----------|-----------------------|--|-------|-------|------|
| UNDECLARED TOLERANCE | | CUS P/N: | SPvolot EV Charging Cable Co.,Ltd info@spvolt.com | | | |
| X.±1.0 | X.*±2.0* | PART NO.: 66X11-XX | TITLE: CCS1 Socket car side | | | |
| .X±0.5 | .X*±1.0* | | DWG NO.: | | | |
| .XX±0.25 | .XX*±0.5* | | APPD.: | | | |
| UNITS: MM | | APPD.: | DWG NO.: | | | |
| THESE DRAWINGS AND SPECIFICATIONS ARE THE PROPERTY OF TI-LANE AND SHALL NOT BE REPRODUCED, COPIED OR USED IN ANY MANNER WITHOUT THE PRIOR WRITTEN CONSENT OF TI-LANE. | | CHKD.: | | SCALE | SHEET | REV. |
| | | DR.: Jon.Xu | | 1:1 | 2/2 | X1 |

| | | | | | | | | | | | |
|------|-----------|-------------|-----|---|---|---|---|---|---|---|-------------|
| ITEM | PART NAME | DESCRIPTION | QTY | 1 | 2 | 3 | 4 | 5 | 6 | 7 | 8 EDF REV.E |
|------|-----------|-------------|-----|---|---|---|---|---|---|---|-------------|