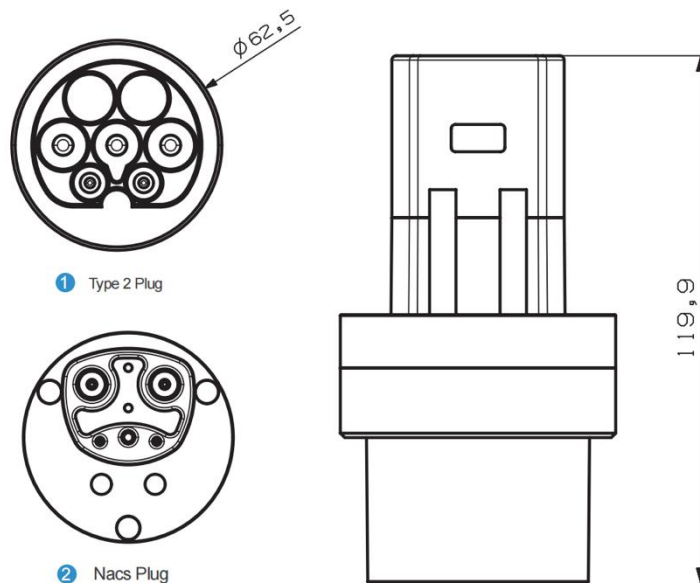




PRODUCT NAME:
TYPE 2 TO TESLA AC ADAPTER

APPLICATION:

- Type 2 to Tesla AC single-phase adapters For Model S 3 X Y, can work with any home charger and hotel or office wall charger.
- Works without any modification, just plug and charge, best for travel and use every day.



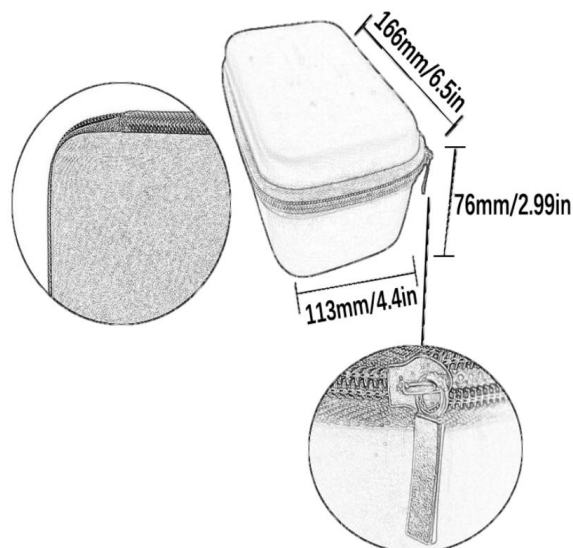
SPECIFICATIONS:

- Current: Max. 32A
- Operating voltage: 110V ~ 250V AC
- Insulation resistance: >1,000mΩ
- Contact resistance: <5mΩ
- Flame retardant grade: UL94-V0
- Operating temperature: -30°C ~ 50°C
- Pins: Copper alloy, silver plated
- Service life: >10,000 times
- Housing material: Plastic (PC + ABS)
- Storage temperature: -40°C ~ +85°C
- Protection grade: IP54

Protection from dirt, dust, oil, and other non-corrosive material. Complete protection from contact with enclosed equipment. Protection from water, up to water projected by a nozzle against enclosure from any direction.

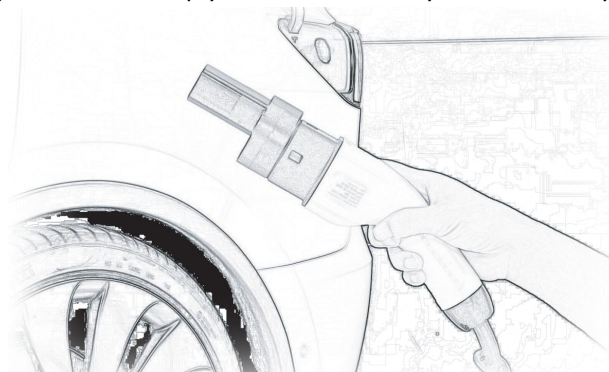
TRAVEL STORAGE CASE:

- Travel storage case: The protection case provides full protection.
- TYPE 2 to Tesla AC adapter storage case is made of premium eva, which is shockproof and dust resistance and skid-proof against impact.



HOW TO USE:

- Simply plug your Type 2 to Tesla Plug into the charging station first, and then into your US Tesla vehicle.
- To remove it from your vehicle, simply authorize it from your vehicle or your phone.



COMPATIBILITY:**Exceptions for Type 2 AC use (For model S no exceptions):**

- This Exceptions only for this original NACS chargers that have button to open charge ports, other brands chargers will work without exceptions.
- NACS Mobile charger (1121254-00-E) will start charging only after 15min of waiting. Plug the first time will give a red button. Then just leave it connected and it will start charging.
- NACS Wall Connector (part numbers 1529455-**-*) will work if you click reset button.

CAUTIONS:

- It's not a toy, keep away from your children.
- Clean only with dry cloth.
- Avoid dismantling, dropping or heavy impact.

STORAGE AND MAINTENANCE:

- Store the adapter in a cool, dry place.
- Regularly inspect the adapter for any signs of wear or damage.
- Clean the adapter with a dry cloth; do not use water or solvents.

WARRANTY:

- This product includes a 1-year warranty.
- In case of misuse, mishandling, negligence, vehicle accidents or modifications, the warranty will be voided. Our warranty only covers manufacturing defects.