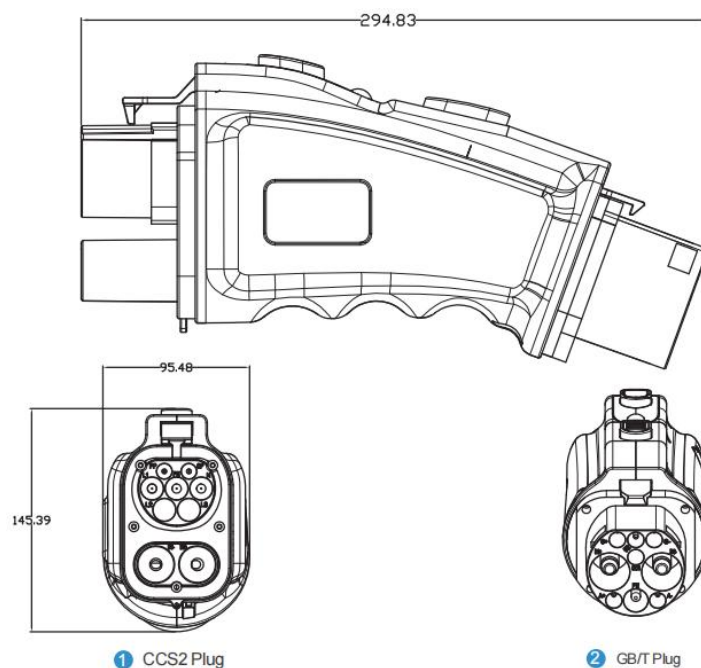




PRODUCT NAME:
CCS2 TO GBT ADAPTER

APPLICATION:

Use only to connect the charging cable on a COMBO 2 charging station to a GBT vehicle that has been enabled for DC charging. The location of the charge port will vary depending on your vehicle model. Refer to your GBT vehicle's owner documentation for the location of the charge port and more detailed charging instructions.



TRAVEL STORAGE CASE:

- Carton packing box:

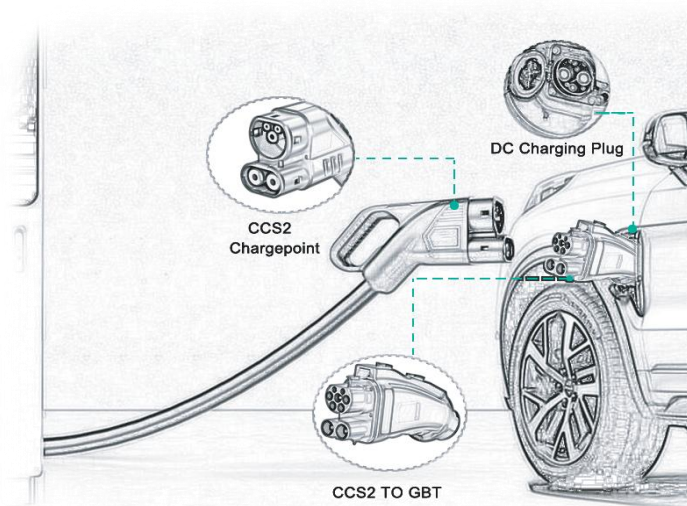


- Packing dimensions: 350*172*115mm, weight: 2kg.

CHARGING TIME:

- The product is only applicable to the COMBO2 charger station for the GBT Vehicle DC fast charging. Different brands of GBT Vehicle have different DC charger port location. Please refer to the user manual of the specific GBT vehicle brand, find the corresponding DC charge port and understand its charging process.
- The charging time depends on the available voltage and current of the charging station. Affected by various factors, charging time may also be affected by the temperature of the vehicle battery: too high or too low temperature of the vehicle battery may limit the charging current, or even do not allow charging to start. The vehicle will heat or cool the power battery before it is allowed to charge. For detailed information on charging performance parameters, please refer to the official website of your purchased GBT vehicle.

HOW TO USE:



1. Initiate the charging process by ensuring your GBT vehicle is in "p" (park) mode with the instrument panel turned off. Then, open the DC charging port on your vehicle.
2. Plug the GBT connector into your GBT vehicle. Wait for the COMBO 2 charging station to display "Inserted".
3. Connect the charging station's cable to the adapter. To do this, align the COMBO 2 end of the adapter with the cable and push until it clicks into place.
4. Note: The adapter features distinct "keyways" designed to align with the corresponding tabs on the cable.

instructions displayed on the COMBO 2 charging station's interface.

6. Safety is paramount, so always adhere to the necessary precautions while using charging equipment to prevent accidents or damage to your vehicle or the charging station.

Note:

- **Steps 2 and 3 cannot be done in reverse order.**
- The operation of the COMBO 2 charging station will depend on different charging-station's manufacturer. For details, refer to the COMBO 2 charging station's instructions.

SPECIFICATIONS:

- Current: Max. 200A
- Operating voltage: 500~1,000V DC
- Insulation resistance: >1,000mΩ
- Contact resistance: <5mΩ
- Flame retardant grade: UL94-V0
- Operating temperature: -30°C ~ 50°C
- Pins: Copper alloy, silver plated
- Service life: >10,000 times
- Sealing gasket: Silicon rubber
- Storage temperature: -40°C ~ +85°C
- Weight: 2kg
- Protection grade: IP54
Protection from dirt, dust, oil, and other non-corrosive material. Complete protection from contact with enclosed equipment. Protection from water, up to water projected by a nozzle against enclosure from any direction.

CCS2-GBT UPGRADE PROCESS:

Storage below upgrade file by UPG suffix by an empty USB disk. Then follow below steps to upgrade the device with latest software.

NOTE:

MAIN_CCS2GBT_2_ID6.UPG (VW version)

MAIN_CCS2GBT_2.UPG (Universal version)

PRECAUTIONS:**Items to prepare:**

- One Type-C USB transmission cable.
- USB flash drive without files.

Operation:

- Open the soft rubber case at the bottom of the product.
- Use the Type C interface to connect to the product, and the other end to the USB flash drive.

UPGRADE SOFTWARE WITH USB FLASH DISK:

- Empty the USB disk, delete all files.
- Copy upgrade file “**MAIN_CCS2GBT_2.UPG**” to root of the flash USB disk.
- Insert USB disk to the USB cable adapter, press the power button and the light will flashing about 10 seconds then shut down automatically.
- Pull out USB disk and press on power button again, the light will flash 10 seconds and shut down automatically, the upgrade process successfully finished.

HOW TO DOWNLOAD THE CHARGING STATUS LOG FILE WITH USB DISK:

Download log files with USB Disk

- Prepare an empty USB disk.
- Insert the USB disk into the USB cable adapter and then press power on switch, the light will flash 2 seconds and then shut down automatically, the last charging status log file downloaded successfully.
- Insert the USB disk to computer and zip the log file. Send the zipped log file via email to the local agent for analyze.
- Local agent will provide upgrade software afterward.
- Upgrade the adapter by upgrade procession guide.

Battery Assembly Instructions

Tools Required:

- Crosshead screwdriver (Size: 4.0)
- 18650 battery (one end protruding)

Assembly Steps:

- Step 1: Use the crosshead screwdriver to unscrew the screws securing the battery compartment.
- Step 2: Insert the battery into the compartment, ensuring that the protruding end faces outward. Check that the connection of the battery cover is secure, as indicated in Figure 2.
- Step 3: Gently tuck the connecting wire into the battery compartment, then cover it with the battery cover, ensuring a snug fit with the battery tab.
- Step 4: Press down on the battery cover by hand to secure it, preventing any risk of detachment. Turn on the switch and check for power. If powered, you can proceed to install the screws. If not, repeat step 2 and 3.



Note:

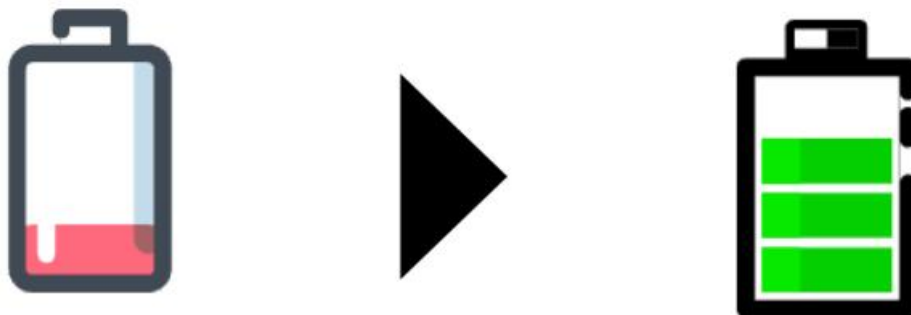
Avoid pulling on the battery connection wire, as this may affect the battery's ability to function properly. Before installing screws, ensure that the battery is successfully powered. If the battery connection wire is found loose, repeat step 2 and 3.



HOW TO CHARGE THE ADAPTER'S BATTERY:

The adapter is equipped with a 3000 mAh.

When you receive the product, please connect the adapter to Type-C for charging.



Things to note when charging:

- Its charging voltage is 5V and the current is 1-2A.
- It takes 15 hours to fully charge TYPE-C.

The indicator light will change when the battery is full:

- The indicator light flashes 2 times quickly during charging (the interval between each time is 1s).
- Flashes 3 times after full (interval 1s each time).
- The battery can be used about 5 times once fully charged.

Reminder:

- Please charge your adapter before the car runs out of power.
- The battery can be used about 5 times once fully charged.

CAUTIONS:

- It's not a toy, keep away from your children.
- Clean only with dry cloth.
- Avoid dismantling, dropping or heavy impact.

STORAGE AND MAINTENANCE:

- Store the adapter in a cool, dry place.
- Regularly inspect the adapter for any signs of wear or damage.
- Clean the adapter with a dry cloth; do not use water or solvents.

WARRANTY:

- voided. Our warranty only covers manufacturing defects.
- In case of misuse, mishandling, negligence, vehicle accidents or modifications, the warranty will be voided. This product includes a 1-year warranty.