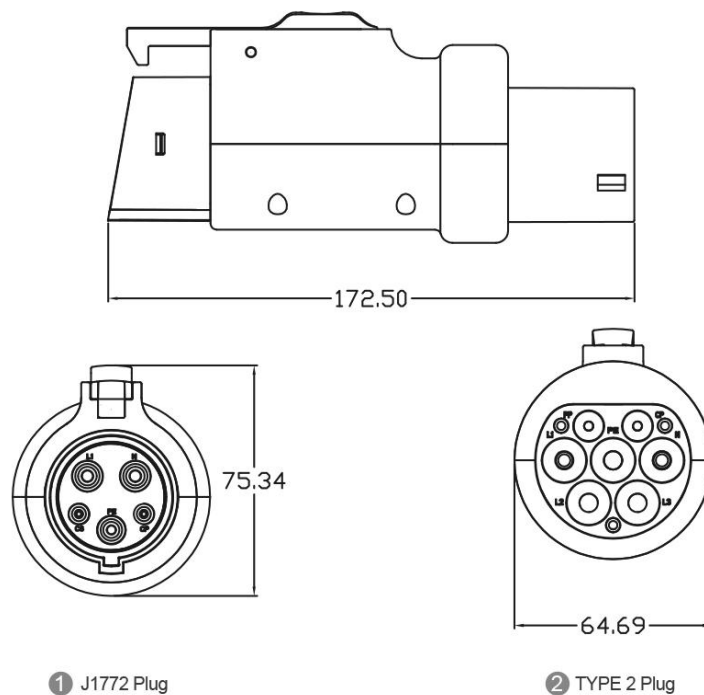




PRODUCT NAME:
TYPE 2 TO TYPE 1 ADAPTER

APPLICATION:

This adapter is for TYPE 2 charging station to TYPE 1 car end. Adapters for American Standard car charging from European Standard charging station.



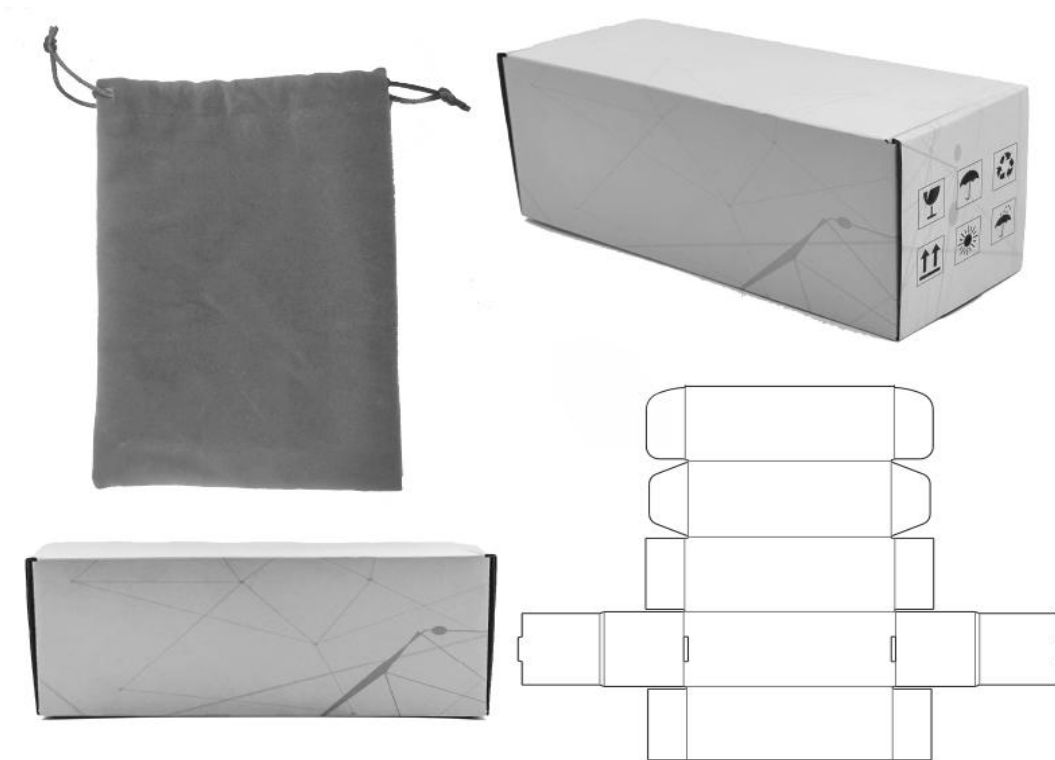
SPECIFICATIONS:

- Current: Max. 32A
- Operating voltage: 250V AC
- Insulation resistance: >1,000mΩ
- Contact resistance: <5mΩ
- Flame retardant grade: UL94-V0
- Operating temperature: -30°C ~ 50°C
- Pins: Copper alloy, silver plated
- Service life: >10,000 times
- Housing material: Plastic (PC + ABS)
- Storage temperature: -40°C ~ +85°C
- Protection grade: IP54

Protection from dirt, dust, oil, and other non-corrosive material. Complete protection from contact with enclosed equipment. Protection from water, up to water projected by a nozzle against enclosure from any direction.

TRAVEL STORAGE CASE:

- Travel storage bag: Easy-carry.



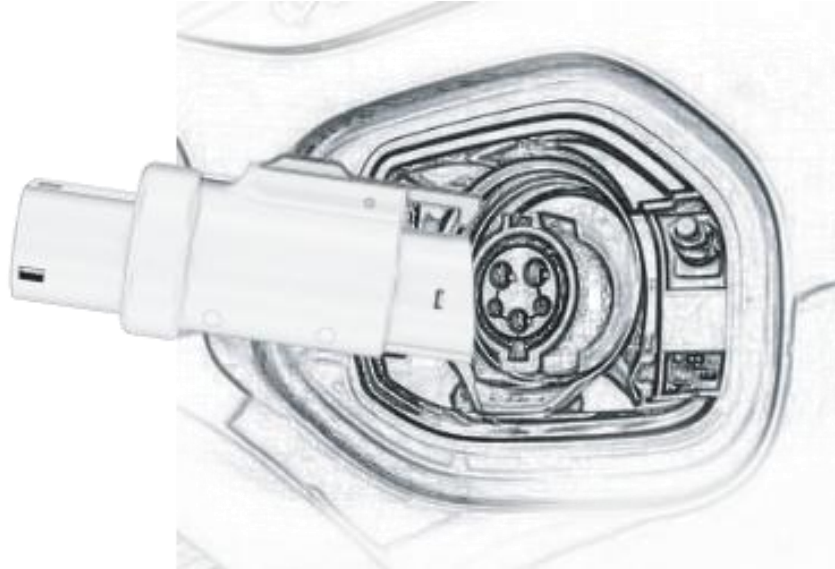
- Packing dimensions: 19*9*9cm, weight: 0.5kg.
- The TYPE 2 to TYPE 1 adapter storage box has a fleece pouch inside for dust protection and environmental protection.

COMPATIBILITY:

Compatible with the Level 1 & Level 2 type2 Connectors charger.

HOW TO USE:

EV Charger TYPE 2 to TYPE 1 J1772 adapter has two sides. One side is connected with Level 1 & Level 2 TYPE2 charging station; another side connected with TYPE 1 EV socket. It is used to connect the European standard charging station end plug to the TYPE 1 car end socket for charging.



PRODUCT FEATURES:

- TYPE 2 to TYPE 1 adapter meets the standard of TYPE 2 and TYPE 1.
- Small size is easy to use and carry.
- Suitable for standard American cars connected to level 1&2 European charging stations.
- The protection rate of TYPE 2 to J1772 adapter is IP54. It can work in the condition of -30°C to 50°C.
- It's thermoplastic (Flame retardant grade UL94 V-0), anti-flaming, pressure-resistant, abrasion resistant, and rainproof.
- Copper alloy silver-plated contacts, superior quality external plastic, longer product life.

CAUTIONS:

- It's not a toy, keep away from your children.
- Clean only with dry cloth.
- Avoid dismantling, dropping or heavy impact.

STORAGE AND MAINTENANCE:

- Store the adapter in a cool, dry place.
- Regularly inspect the adapter for any signs of wear or damage.
- Clean the adapter with a dry cloth; do not use water or solvents.

WARRANTY:

- This product includes a 1-year warranty.
- In case of misuse, mishandling, negligence, vehicle accidents or modifications, the warranty will be voided. Our warranty only covers manufacturing defects.