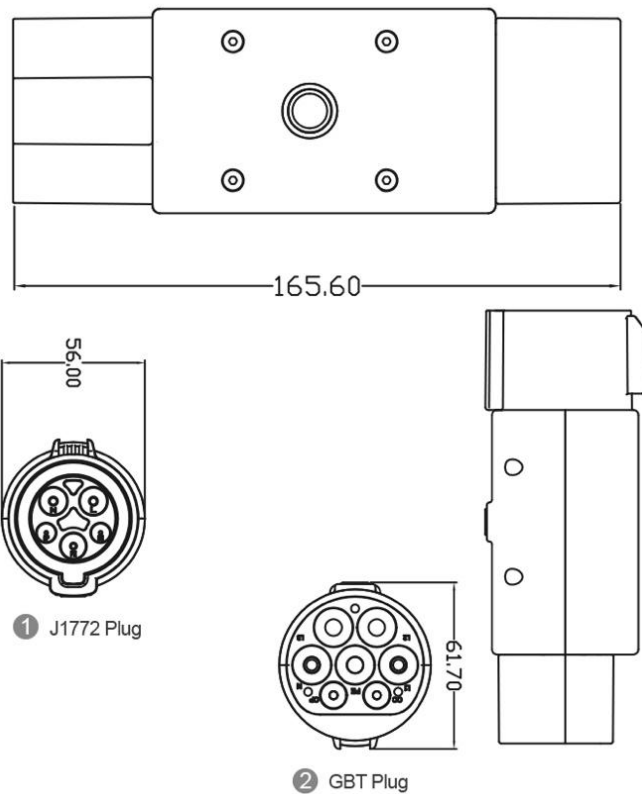




**PRODUCT NAME:**  
TYPE 1 TO GBT ADAPTER

**APPLICATION:**

This adapter is for TYPE 1 charging station to GBT car end. Adapters for GBT Standard car charging from American Standard charging station.



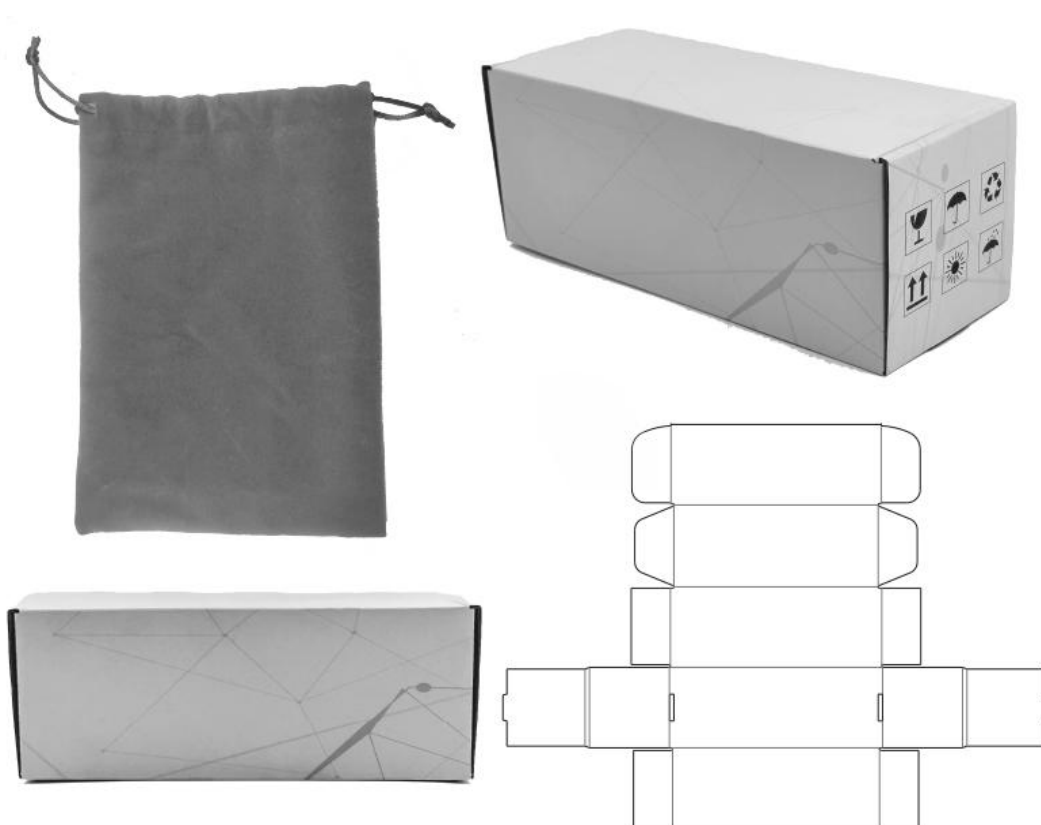
#### SPECIFICATIONS:

- Current: Max. 32A
- Operating voltage: 110~250V AC
- Insulation resistance: >1,000mΩ
- Contact resistance: <5mΩ
- Flame retardant grade: UL94-V0
- Operating temperature: -30°C ~ 50°C
- Pins: Copper alloy, silver plated
- Service life: >10,000 times
- Housing material: Plastic (PC + ABS)
- Storage temperature: -40°C ~ +85°C
- Special feature: With switch
- Protection grade: IP54

Protection from dirt, dust, oil, and other non-corrosive material. Complete protection from contact with enclosed equipment. Protection from water, up to water projected by a nozzle against enclosure from any direction.

#### TRAVEL STORAGE CASE:

- Travel storage bag: Easy-carry.



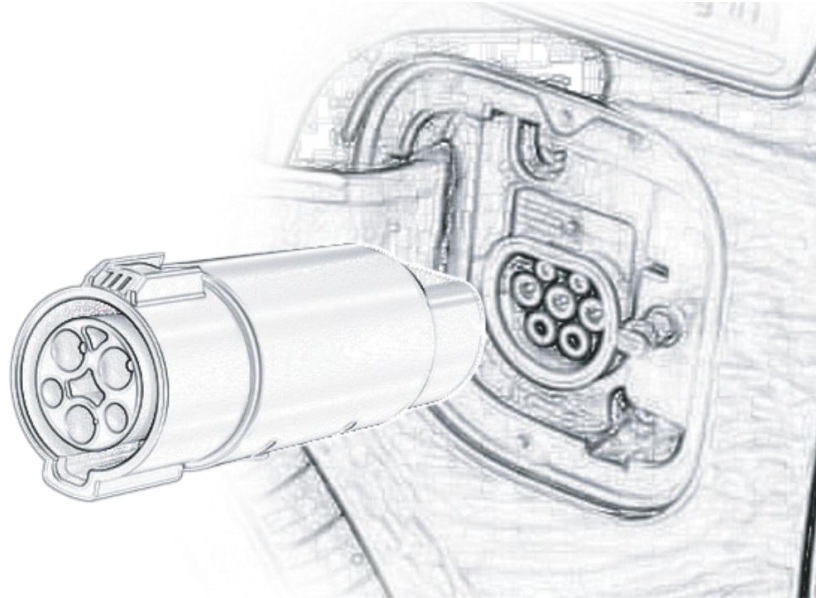
- Package dimensions: 19\*9\*9cm, weight: 0.5kg.

#### COMPATIBILITY:

Compatible with the Level 1 & Level 2 J1772 Connectors charger. This electric car charging adapter has been CE, FCC certified and meets the strongest safety guidelines.

### HOW TO USE:

EV Charger j1772 Type 1 to GBT adapter has two sides. One side is connected with J1772 charging station; another side connected with GBT EV socket. It is used to connect the American standard charging station end plug to the GBT car end socket for charging.



### PRODUCT FEATURES:

- J1772 to GBT adapter meets the standard of TYPE 1 and GBT.
- Small size is easy to use and carry.
- Suitable for GBT cars connected to American charging stations.
- The protection rate of J1772 to GBT adapter is IP54. It can work in the condition of -30°C to 50°C.
- It's thermoplastic (Flame retardant grade UL94 V-0), anti-flaming, pressure-resistant, abrasion resistant, and rainproof.
- Copper alloy silver-plated contacts, superior quality external plastic, longer product life.
- The J1772 plug connection fits well, it is not easy to fall off, and it is easy to use.

### CAUTIONS:

- It's not a toy, keep away from your children.
- Clean only with dry cloth.
- Avoid dismantling, dropping or heavy impact.

### STORAGE AND MAINTENANCE:

- Store the adapter in a cool, dry place.
- Regularly inspect the adapter for any signs of wear or damage.
- Clean the adapter with a dry cloth; do not use water or solvents.

### WARRANTY:

- This product includes a 1-year warranty.
- In case of misuse, mishandling, negligence, vehicle accidents or modifications, the warranty will be voided. Our warranty only covers manufacturing defects.